

Chuck System

夾頭系列

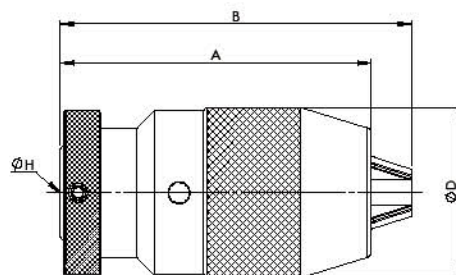
A



Titanium Jaws Chuck 鈦極系列

Keyless Taper Mount (錐孔) / Special heavy duty model 特重型系列 #122

- Extremely high accuracy and precision design, suitable for CNC machines and machine Center. All parts are ground, heat treated, surface treated and under specific QC condition.
- The clamping three jaws adopt high tech Titanium.
 - The benefit of adopting Titanium is to increase the intensity and wear-resistance.
 - 十分高精密之設計，適用於 CNC 及綜合切削機。
 - 所有構成部份皆經過電鍍及表面熱處理且在嚴格品質管制控制之下。
 - 夾爪採用高科技的鈦合金鍍膜，可使夾爪更耐磨耐用及確保精度。



S Type
Special Heavy duty model #122

Code No. 型號	Description 品名	Size 尺寸	Capacity 夾持範圍		ØH	Length 長度 (mm)		Outer Dia 外徑 (mm)	Weight 重量 (g)
			mm 公制	inch 英制		A	B		
BA12206201101A		6S	0.3-6.5	1/64-1/4	JT1	62	68	33	300
BA12206203303A		6S	0.3-6.5	1/64-1/4	B10	62	68	33	300
BA12208201101A		8S	0.3-8	1/64-5/16	JT1	70	77	38	425
BA12208201102A		8S	0.3-8	1/64-5/16	JT2S	70	77	38	425
BA12208201103A		8S	0.3-8	1/64-5/16	B10	70	77	38	425
BA12208201104A		8S	0.3-8	1/64-5/16	B12	70	77	38	425
BA12210201102A		10S	0.3-10	1/64-3/8	JT2S	80	91	43	625
BA12210201103A		10S	0.3-10	1/64-3/8	JT33	80	91	43	625
BA12210201104A		10S	0.3-10	1/64-3/8	B10	80	91	43	625
BA12210201105A		10S	0.3-10	1/64-3/8	B12	80	91	43	625
BA12210201101A		10S	0.3-10	1/64-3/8	JT2	80	91	43	625
BA12210201106A		10S	0.3-10	1/64-3/8	B16	80	91	43	625
BA12213201101A		13S	0.3-13	1/64-1/2	JT2	90	102	50	1000
BA12213201102A		13S	0.3-13	1/64-1/2	JT3S	90	102	50	1000
BA12213201103A		13S	0.3-13	1/64-1/2	JT6	90	102	50	1000
BA12213201104A		13S	0.3-13	1/64-1/2	B12	90	102	50	1000
BA12213201105A		13S	0.3-13	1/64-1/2	B16	90	102	50	1000
BA12216201102A		16S	3-16	1/8-5/8	JT6	102	114	57	1320
BA12216201101A		16S	3-16	1/8-5/8	JT3	102	114	57	1320
BA12216201103A		16S	3-16	1/8-5/8	B16	102	114	57	1320
BA12216201104A		16S	3-16	1/8-5/8	B18	102	114	57	1320
BA12216201105A		16S	3-16	1/8-5/8	JT33	102	114	57	1320

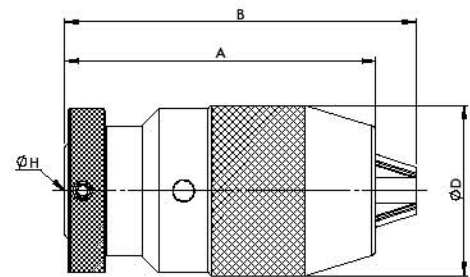
* 3S 為細爪

Keyless Taper Mount (錐孔)

Heavy duty model 重型系列 #123

Industrial design especially for milling machines and drilling machines. All hardened parts ensure long life and safety while in operation.

擁有工業（工學）之設計，特別是針對銑床及鑽床機械。所有堅固的組成部份必能確保操作期間此鑽夾頭之安全性及高長效使用壽命。



H Type
Heavy duty model #123

Code No. 型號	Description 品名	Size 尺寸	Capacity 夾持範圍		ØH	Length (mm) 長度		ØD	Weight 重量 (g)
			mm 公制	inch 英制		A	B		
BA12306101101A		6H	0.3-6.5	1/64-1/4	JT1	62	68	33	310
BA12308101101A		8H	0.3-8	1/64-5/16	JT1	70	77	38	410
BA12308101102A		8H	0.3-8	1/64-5/16	JT2S	70	77	38	410
BA12308101103A		8H	0.3-8	1/64-5/16	B10	70	77	38	410
BA12308101104A		8H	0.3-8	1/64-5/16	B12	70	77	38	410
BA12310101101A		10H	0.3-10	1/64-3/8	JT2	80	91	43	630
BA12310101103A		10H	0.3-10	1/64-3/8	JT33	80	91	43	630
BA12310101102A		10H	0.3-10	1/64-3/8	JT2S	80	91	43	630
BA12310101104A		10H	0.3-10	1/64-3/8	B10	80	91	43	630
BA12310101105A		10H	0.3-10	1/64-3/8	B12	80	91	43	630
BA12313101102A		13H	0.3-13	1/64-1/2	JT33	90	102	50	940
BA12313101103A		13H	0.3-13	1/64-1/2	JT6	90	102	50	940
BA12313101105A		13H	0.3-13	1/64-1/2	B12	90	102	50	940
BA12313101107A		13H	0.3-13	1/64-1/2	B16	90	102	50	940
BA12313101101A		13H	0.3-13	1/64-1/2	JT2	90	102	50	940
BA12316101102A		16H	3-16	1/8-5/8	JT6	102	114	57	1300
BA12316101101A		16H	3-16	1/8-5/8	JT3	102	114	57	1300
BA12316101103A		16H	3-16	1/8-5/8	B16	102	114	57	1300
BA12316101104A		16H	3-16	1/8-5/8	B18	102	114	57	1300

* Custom Built products are available on request. * 特製品可依客戶需求訂製

Keyless Taper Mount (錐孔)

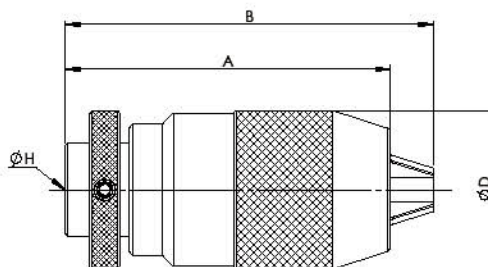
Medium duty model 中型系列 #124

Stable quality of tapered mounting, suitable for bench and pedestal drilling machines.
此錐孔規格之夾頭產品，擁有穩定之品質，適用於檯式鑽床及懸臂鑽床



Code No. 12404-2A
12404-3A

M Type
Medium duty model #124



Code No. 型號	Description 品名	Size 尺寸	Capacity 夾持範圍		ØH	Length (mm) 長度		ØD	Weight 重量 (g)
			mm 公制	inch 英制		A	B		
BA12413101101A		13M	0.5-13	1/64-1/2	JT2	87	99	43	648
BA12413101103A		13M	0.5-13	1/64-1/2	JT6	87	99	43	648
BA12413101106A		13M	0.5-13	1/64-1/2	B16	87	99	43	648
BA12413101102A		13M	0.5-13	1/64-1/2	JT33	87	99	43	648

* Custom Built products are available on request. *特製品可依客戶需求訂製

Hook wrench (勾扳手系列)

Hook wrench model #128

Hook wrench suitable for #122 #126 #127 etc...
此系列適用於 #122 #126 #127 等夾頭



Code No. 型號	Description 品名	Type 規格	Weight 重量 (g)
BA12806000001A		6S	70
BA12808000001A		8S	82
BA12810000001A		10S	105
BA12813000001A		13S	120
BA12816000001A		16S	110
BA12820000001A		20S	130

* Custom Built products are available on request. *特製品可依客戶需求訂製

Keyless Thread Mount (螺紋)

Medium duty model 中型系列 #125

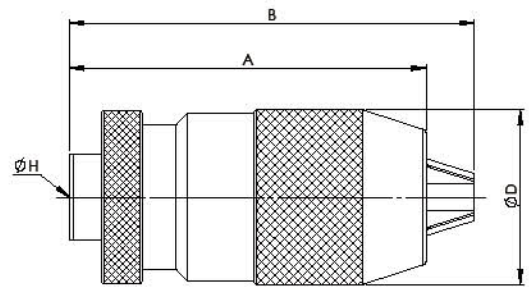
Stable quality of threaded mounting, suitable for bench and pedestal drilling machines.

此螺紋規格之夾頭產品，擁有穩定之品質，適用於檯式鑽床及懸臂鑽床



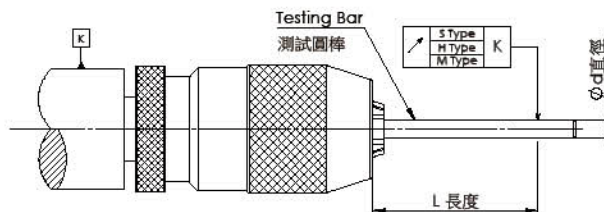
Code No. 12503-2A
12503-3A

M Type
Medium duty model #125



Code No. 型號	Description 品名	Size 尺寸	Capacity 夾持範圍		ØH	Length (mm) 長度		ØD	Weight 重量 (g)
			mm 公制	inch 英制		A	B		
BA12513101103A		13M	1-13	1/32-1/2	1/2-20UNF	87	99	43	650
BA12513101101A		13M	1-13	1/32-1/2	3/8-24UNF	87	99	43	650

Keyless Drill Chuck Run Out Table Keyless
鑽夾頭同心度檢驗表



Capacity 夾持範圍 mm	Ød 直徑 mm	L 長度 mm	S Type	H Type	M Type
			↗	↗	↗
8	4	35	0.05	0.07	0.15
	6				
	8	50			
10	6	35	0.05	0.07	0.15
	8				
	10	60			
13	6	55	0.05	0.07	0.15
	10				
	13	75			
16	6	55	0.05	0.07	0.15
	10				
	16	80			

* Custom Built products are available on request. * 特製品可依客戶需求訂製

Titanium Jaws Chuck 鈦極系列

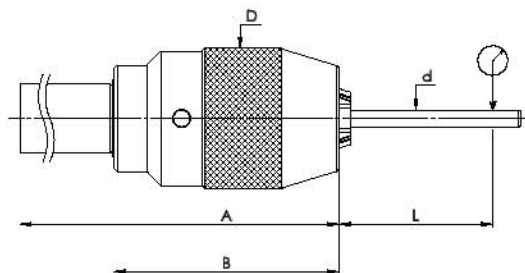
Arbor Type(連柄一體式) / Special Heavy duty model 特重型系列 #126

Designed together with arbor structure makes its performance perfect for drilling press and machine center. Precisely machined and ground components ensure the tolerance and accuracy. The clamping three jaws adopt high tech Titanium.

The benefit of adopting Titanium is to increase the intensity and wear-resistance.

附有夾頭柄結構之設計，使得它更適於銑床及綜合切削機且有更趨於完美之美現。精密的機械工學和堅固耐用的組成確保了力及精度。

夾爪採用高科技的鈦合金鍍膜，可使夾爪更耐磨耐用及確保精度。



Code No. 型號	Description 品名	Type 規格	Capacity 夾持範圍		Taper Mount No. DIN or Jacobs 錐孔組接 型式	Length 長度 (mm)			Weight 重量 (g)	Spanner No. 適用 勾板手
			mm 公制	inch 英制		A	B	D (mm) 外徑		
MT	BA12608201001A	8S	0.3-8	1/64-5/16	MT2	141	61	37	400	BA1280800001A
	BA12610201001A	10S	0.3-10	1/64-3/8	MT2	151	70	43	700	BA1281000001A
	BA12613201001A	13S	0.3-13	1/64-1/2	MT2	161	81	50	1010	BA1281300001A
	BA12613201002A	13S	0.3-13	1/64-1/2	MT3	180	81	50	1140	BA1281300001A
	BA12613201004A	13S	0.3-13	1/64-1/2	MT4	205	81	50	1490	BA1281300001A
	BA12616201001A	16S	3-16	1/8-5/8	MT3	185	85	57	1445	BA1281600001A
	BA12616201002A	16S	3-16	1/8-5/8	MT4	210	85	57	1770	BA1281600001A
MT: 莫氏錐度柄										
D	BA12603301001A	*3S	0.3-3	1/64-1/8	D12	88.5	38	24	140	
	BA12606201001A	6S	0.3-6.5	1/64-1/4	D16	104	54	33	334	BA1280600001A
	BA12608201003A	8S	0.3-8	1/64-5/16	D20	121	61	37	510	BA1280800001A
	BA12613201005A	13S	0.3-13	1/64-1/2	D20	141	81	50	1030	BA1281300001A
	BA12613201006A	13S	0.3-13	1/64-1/2	D25	161	81	50	1190	BA1281300001A
	BA12613201007A	13S	0.3-13	1/64-1/2	D32	161	81	50	1405	BA1281300001A
	BA12616201003A	16S	3-16	1/8-5/8	D20	145	85	57	1330	BA1281600001A
	BA12616201004A	16S	3-16	1/8-5/8	D25	165	85	57	1480	BA1281600001A
BA12616201005A	16S	3-16	1/8-5/8	D32	165	85	57	1700	BA1281600001A	
D: 直柄 *3S 為鋼爪										
R	BA12613201008A	13S	0.3-13	1/64-1/2	R8	184	81	50	1260	BA1281300001A
	BA12616201006A	16S	3-16	1/8-5/8	R8	188	85	57	1530	BA1281600001A
R: 不規則柄										

Keyless Drill Chuck Run Out Table Inspection

鑽夾頭同心度檢驗表

Type 規格	φ 直徑 mm	L 長度 mm	Max Run Out 最大同心度 mm
3S	2	30	0.05
	3		
6S	4	35	0.05
	6		
8S	4	50	0.05
	6		
10S	8	35	0.05
	10		
13S	6	55	0.05
	10		
16S	6	55	0.05
	10		
	16	80	

*Custom Built products are available on request. *特製品可依客戶需求訂製

Titanium Jaws Chuck 鈦極系列

Tool Shank Type (帶刀柄式) / Heavy duty & Special heavy duty model 重型及特重型系列 #127

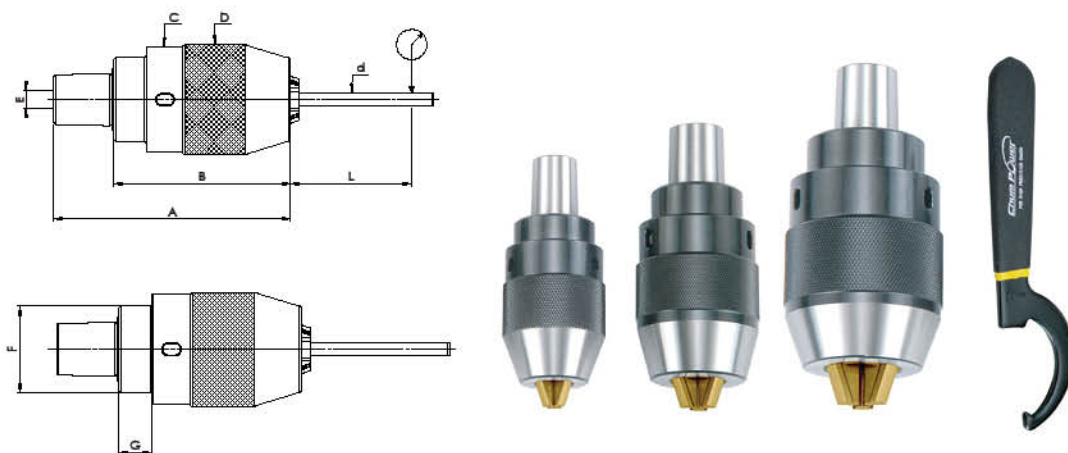
Multi-choices of mounting specification offers quick changeover on machine center.

The clamping three jaws adopt high tech Titanium.

The benefit of adopting Titanium is to increase the intensity and wear-resistance.

擁有可搭配不同刀柄座規格之多重選擇；當您使用於綜合切削機時，它能讓您迅速地更換。

夾爪採用高科技的鈦合金鍍膜，可使夾爪更耐磨耐用及確保精度。



Description 品名 Code No. 型號	Type 規格	Capacity 夾持範圍		Male Taper 錐柄組接型式	A mm	B mm	C mm	D mm	E mm	F mm	G mm	Weight (g) 重量	Spanner No. 通用勾扳手
		mm 公制	inch 英制										
BA12706201001A	6S	0.3-6.5	1/64-1/4	MT2	78	54	32	33	M6 P1.0	26.5	7.5	300	BA1280600001A
BA12708201001A	8S	0.3-8	1/64-5/16	MT2	85	60.5	36	37	M6 P1.0	30	10.5	400	BA1280800001A
BA12710201001A	10S	0.3-10	1/64-3/8	MT2	95	70	41	43	M6 P1.0	33.5	12	650	BA1281000001A
BA12713201003A	13S	0.3-13	1/64-1/2	MT3	107.5	80.5	48	50	M8 P1.25	38	15	960	BA1281300001A
BA12716201002A	16S	3-16	1/8-5/8	MT3	112	85	54.5	57	M8 P1.25	43	16	1250	BA1281600001A

Keyless Drill Chuck Run Out Table Inspection
鑽夾頭同心度檢驗表

Type 規格	φd 直徑 mm	L 長度 mm	S Type
6S	4	35	0.05
	6	35	
8S	4	35	0.05
	8	50	
10S	6	35	0.05
	10	60	
13S	6	55	0.05
	13	75	
16S	6	55	0.05
	16	80	



組接示意圖

*Custom Built products are available on request. *特製品可依客戶需求訂製

Stainless Steel Drill Chuck 不銹鋼系列

Key Type Taper & Thread Mount 錐孔&螺紋 #129

(Used in electric discharging machining) 放電用



Code No. 型號	Description 品名	Size 尺寸	H	Capacity 夾持範圍		Length 長度 (mm)		Outer Dia 外徑 (mm)	Weight 重量 (g)
				mm 公制	inch 英制	A	B		
BA129040PJ101A	4MTP	JT0		0.3-4	1/64-5/32	28	36	23	50
BA129060PJ201A	6MTP	JT1		0.5-6.5	1/64-1/4	40.5	49.7	31	125
BA129060HT201A	6MTP	3/8-24UNF		0.5-6.5	1/64-1/4	40.5	49.7	31	130
BA129100PJ401A	10MTP	JT2S		0.5-10	1/64-3/8	51	63	39	250
BA129100DD702A	10MTD	D13		0.5-10	1/64-3/8	57	69	37	250
BA129100DD803A	10MTD	D15		0.5-10	1/64-3/8	57	69	37	250
BA129100HT201A	10MTH	3/8-24UNF		0.5-10	1/64-3/8	51	63	39	250
BA129130PJ901A	13MTP	JT6		1-13	1/32-1/2	63	77	45	420
BA129130HT301A	13MTH	1/2-20UNF		1-13	1/32-1/2	63	77	45	420
BA129160PJ901A	16MTP	JT6		1-16	1/32-5/8	76.5	95	55	725
BA129160HT301A	16MTH	1/2-20UNF		1-16	1/32-5/8	76.5	95	55	725

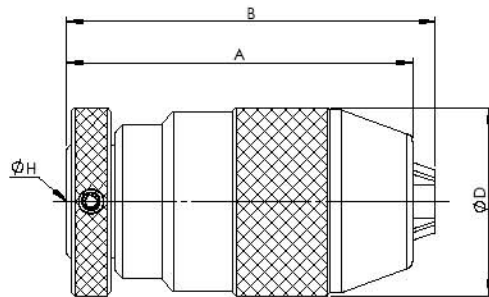
* Custom Built products are available on request. *特製品可依客戶需求訂製

Stainless Steel Drill Chuck 不銹鋼系列

Key Type Taper & Thread Mount 錐孔&螺紋 #130 / #140

#130:(Used in electric dis charging machining) 放電用

#140:(Used in medical industry) 醫療用



Code No. 型號	Description 品名	Size 尺寸	Capacity 夾持範圍		ϕH	Length 長度 (mm)		Outer Dia 外徑 (mm)	Weight 重量 (g)
			mm 公制	inch 英制		A	B		
#130 (放電用)	BA13003300002A	3S	0.3-3	1/64-1/8	JT0	44	47.5	24	110
	BA13003300003A	3S	0.3-3	1/64-1/8	JT1	46	49.5	24	110
	BA13006300001A	6S	0.3-6.5	1/64-1/4	JT1	63	69.5	33	300
	BA13008300002A	8S	0.3-8	1/64-5/16	JT1	70	77	38	425
#140 (醫療用)	BA14003300001A	3S	0.3-3	1/64-1/8	JT0	44	47.5	24	110
	BA14003300002A	3S	0.3-3	1/64-1/8	JT1	46	49.5	24	110
	BA14006300001A	6S	0.3-6.5	1/64-1/4	JT1	63	69.5	33	300

Titanium Jaws Chuck 鈦極系列

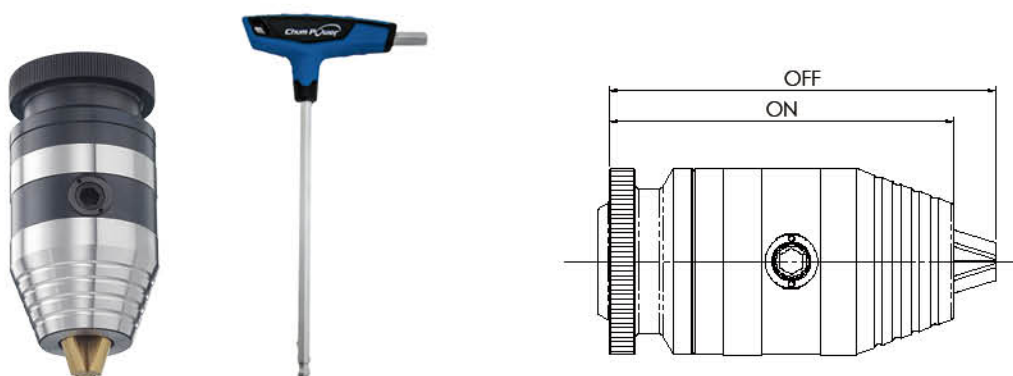
Hex Key Drill Chuck 齒輪式夾頭 #133

Arbor structure makes its performance perfect for drilling press and machine center.

Fine components ensure the tolerance and accuracy well.

The benefit of titanium jaws is to increase the intensity and wear-resistance.

1. 適合中高低轉速使用。
2. 輕鬆夾緊鑽頭、絲攻、鉸刀、銑刀。
3. 夾緊力可靠、信賴。
4. 夾緊力可達 400-750kgf · cm。
5. 鍍鈦爪設計，增加耐磨功能。
6. 可正反轉。
7. 精度佳。



Code No. 型號	Size 尺寸	Taper & Thread Mount No. DIN or Jacobs 組接型式	Capacity 夾持範圍		Length 長度 (mm)		Weight 重量 (g)
			mm 公制	inch 英制	Open 三爪 (開)	Closed (閉)	
BA133132J0001A	GHK13S	JT6	0.3-13	1/64-1/2	94	105	988
BA133162J0001A	GHK16S	JT6	1.5-16	1/16-5/8	104	113	990
BA133132B0001A	GHK13S	B16	0.3-13	1/64-1/2	95	107	1000
BA133162B0001A	GHK16S	B16	1.5-16	1/16-5/8	104	115	1280



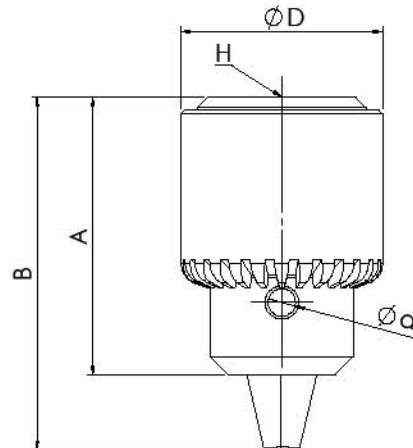
Code No. 型號	Size 規格	ΦA	B	Capacity 夾持範圍		C	ΦD	ΦE	ΦF	G	H	Weight 重量 (g)
				mm	inch							
BA133082M0001A	GHK8S	MT2	24	0.3~8	1/64~5/16	68	30	48	37	M6	4	535
BA133132M0001A	GHK13S	MT2	24	0.3-13	1/64~1/2	86.5	30	50	50	M6	6	1122
BA133162M0001A	GHK16S	MT2	24	1.5~16	1/16~5/8	91.5	30	50	50	M6	6	1124
BA133082M0002A	GHK8S	MT3	26.5	0.3~8	1/64~5/16	71.5	38	48	37	M8	4	680
BA133132M0002A	GHK13S	MT3	26.5	0.3-13	1/64~1/2	91	38	50	50	M8	6	1290
BA133162M0002A	GHK16S	MT3	26.5	1.5~16	1/16~5/8	96	38	50	50	M8	6	1220

* Custom Built products are available on request. *特製品可依客戶需求訂製

Stainless Steel Drill Chuck 不銹鋼系列

Key Type Taper & Thread Mount 錐孔&螺紋 #141

(Used in medical industry) 醫療用



Code No. 型號	Description 品名	Size 尺寸	ØH	Capacity 夾持範圍		Length 長度 (mm)		ØD Outer Dia 外徑 (mm)	Weight 重量 (g)	Key Size 通用扳手
				mm 公制	inch 英制	A	B			
BA141040PJ101A	4MTP	JT0		0.3-4	1/64-5/32	28	36	22	50	Ø3.2
BA141040HT201A	4MTH	3/8-24UNF		0.3-4	1/64-5/32	28	36	22	50	Ø3.2
BA141060HT101A	6MTH	5/16-24UNF		0.5-6.5	1/64-1/4	40.5	49.7	28.5	130	Ø4
BA141060PJ201A	6MTP	JT1		0.5-6.5	1/64-1/4	40.5	49.7	29.4	125	Ø4
BA141060HT201A	6MTH	3/8-24UNF		0.5-6.5	1/64-1/4	40.5	49.7	28.5	130	Ø4
BA141100PJ401A	10MTP	JT2S		0.5-10	1/64-3/8	57	63	39	250	Ø5.5
BA141100HT201A	10MTH	3/8-24UNF		0.5-10	1/64-3/8	51	63	39	250	Ø5.5

* Custom Built products are available on request. *特製品可依客戶需求訂製

Applications

1. Used in medical industry, especially in bone Surgery.
2. Used in electric discharging machining (EDM).
3. For special application on chemical-mixing.
4. For special application on food-mixing.
5. For special application on boat/ship-drilling.

Design Features

1. Stainless material is applied to each Component.
2. Special design: Working smoothly.
3. Chemical surface treatment is made for each Component.
4. Anti-Corrosion (anti-rust) even if used in the environment of high acidity, high alkalinity or high humidity.
5. Radius design on sleeve; it would not rip the glove; therefore, minimizes the risk of Operator safety.
6. Smooth appearance: being Convenient for users.

產品適用

1. 醫療骨科手術工具
2. 細孔放電加工機 (EDM)
3. 實驗室攪拌
4. 食品攪拌

特點

1. 所有零件採用不銹鋼材質
2. 特殊設計，轉動順暢
3. 所有料件都經過化學表面處理
4. 在高酸性、高鹼性或高溼度的環境下使用，不易腐蝕 (生鏽)
5. 外殼弧角設計，不勾破手套，降低操作人員安全之風險
6. 滑順的外觀，使用更順手方便

Key 扳手

#116



Code No. 型號	Ød	"Used on 適用規格"	Shape 扳手外型	Weight 重量 (g)
BA116040B0001A	Ø3.2	4MTP	噴砂 / T 型 - Sandblasting	16
BA116040B0002A	Ø3.2	4MTP	磁振 / T 型 - Polish	32
BA116040H0001A	Ø3.2	4MTP	鎖牙 / T 型 - Thread	26
BA116060A0001A	Ø4	6MTP	染黑 / 採耳式 - Black oxide	37
BA116060B0001A	Ø4	6MTP	噴砂 / T 型 - Sandblasting	39
BA116060B0002A	Ø4	6MTP	染黑 / T 型 - Black oxide	43
BA116100A0001A	Ø5.5	10MTP	染黑 / 採耳式 - Black oxide	46
BA116100C0001A	Ø5.5	10MTP	染黑 / 拇指型 - Black oxide	45
BA116100D0001A	Ø6	10MTP	鍍鎳 / 焊黏式 - Nickel Plated	41
BA116100B0001A	Ø5.5	10MTP/6MTP	噴砂 / T 型 - Sandblasting	47
BA116060A0002A	Ø6	10MTP	鍍鉻 / 採耳式 - Nickel Plated	46
BA116100A0002A	Ø6	10MTP	染黑 / 採耳式 - Black oxide	47
BA116130A0001A	Ø6.5	13MTP	染黑 / 採耳式 - Black oxide	52
BA116130C0001A	Ø6.5	13MTP	染黑 / 拇指型 - Black oxide	44
BA116130D0001A	Ø6	13MTP	染黑 / 焊黏式 - Black oxide	43
BA116160A0001A	Ø8	13MTP/16MTP	染黑 / 採耳式 - Black oxide	85
BA116160C0001A	Ø8	16MTP	染黑 / 拇指型 - Black oxide	87
BA116160B0001A	Ø8	16MTP	染黑 / T 型 - Black oxide	84

* Custom Built products are available on request. *特製品可依客戶需求訂製