

Chuck System

夾頭系列

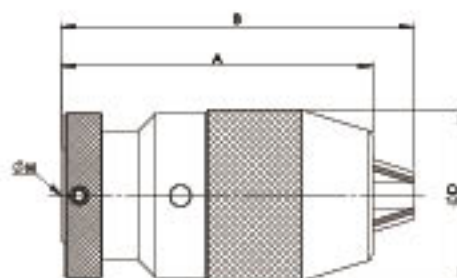
A



Titanium Jaws Chuck 鈦極系列

Keyless Taper Mount (鑿孔) / Special heavy duty model 特重型系列 #122

- Extremely high accuracy and precision design, suitable for CNC machines and machine Center. All parts are ground, heat treated, surface treated and under specific QC condition.
- The clamping three jaws adopt high tech Titanium.
 - The benefit of adopting Titanium is to increase the intensity and wear-resistance.
 - 十分高精密之設計，適用於 CNC 及綜合切削機。
 - 所有構成部份皆經過電鍍及表面熱處理且在嚴格品質管制控制之下。
 - 夾爪採用高科技的鈦合金鍍膜，可使夾爪更耐磨耐用及確保精度。



S Type
Special Heavy duty model #122

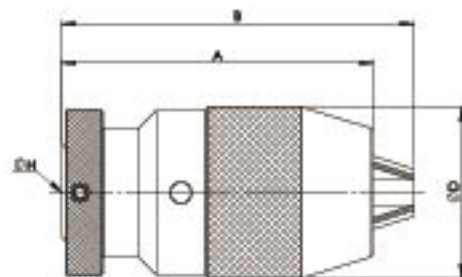
| Code No. 型號 | Description 品名 | Size 尺寸 | Capacity 夾持範圍 | | Ch | Length 長度 (mm) | | Outer Dia 外徑 (mm) | Weight 重量 (g) |
|----------------|-------------------|---------|---------------|-------------|------|----------------|-----|-------------------|---------------|
| | | | mm 公制 | Inch 英制 | | A | B | | |
| BA12206201101A | | 65 | 0.3-6.5 | 1/64-1/4 | JT1 | 62 | 68 | 33 | 300 |
| BA12206203303A | | 65 | 0.3-6.5 | 1/64-1/4 | B10 | 62 | 68 | 33 | 300 |
| BA12208201101A | | 85 | 0.3-8 | 1/64-5/16 | JT1 | 70 | 77 | 38 | 425 |
| BA12208201102A | | 85 | 0.3-8 | 1/64-5/16 | JT2S | 70 | 77 | 38 | 425 |
| BA12208201103A | | 85 | 0.3-8 | 1/64-5/16 | B10 | 70 | 77 | 38 | 425 |
| BA12208201104A | | 85 | 0.3-8 | 1/64-5/16 | B12 | 70 | 77 | 38 | 425 |
| BA12210201102A | | 105 | 0.3-10 | 1/64-3/8 | JT2S | 80 | 91 | 43 | 625 |
| BA12210201103A | | 105 | 0.3-10 | 1/64-3/8 | JT33 | 80 | 91 | 43 | 625 |
| BA12210201104A | | 105 | 0.3-10 | 1/64-3/8 | B10 | 80 | 91 | 43 | 625 |
| BA12210201105A | | 105 | 0.3-10 | 1/64-3/8 | B12 | 80 | 91 | 43 | 625 |
| BA12210201101A | | 105 | 0.3-10 | 1/64-3/8 | JT2 | 80 | 91 | 43 | 625 |
| BA12210201106A | | 105 | 0.3-10 | 1/64-3/8 | B16 | 80 | 91 | 43 | 625 |
| BA12213201101A | | 135 | 0.3-13 | 1/64-1/2 | JT2 | 90 | 102 | 50 | 1000 |
| BA12213201102A | | 135 | 0.3-13 | 1/64-1/2 | JT33 | 90 | 102 | 50 | 1000 |
| BA12213201103A | | 135 | 0.3-13 | 1/64-1/2 | JT6 | 90 | 102 | 50 | 1000 |
| BA12213201104A | | 135 | 0.3-13 | 1/64-1/2 | B12 | 90 | 102 | 50 | 1000 |
| BA12213201105A | | 135 | 0.3-13 | 1/64-1/2 | B16 | 90 | 102 | 50 | 1000 |
| BA12216201102A | | 165 | 3-16 | 1/8-5/8 | JT6 | 96 | 108 | 57 | 1320 |
| BA12216201101A | | 165 | 3-16 | 1/8-5/8 | JT3 | 102 | 114 | 57 | 1320 |
| BA12216201103A | | 165 | 3-16 | 1/8-5/8 | B16 | 96 | 108 | 57 | 1320 |
| BA12216201104A | | 165 | 3-16 | 1/8-5/8 | B18 | 102 | 114 | 57 | 1320 |
| BA12216201105A | | 165 | 3-16 | 1/8-5/8 | JT33 | 96 | 108 | 57 | 1320 |
| BA12220201101A | | 205 | 5-20 | 13/64-51/64 | JT3 | 112 | 122 | 60 | 1685 |
| BA12220201102A | | 205 | 5-20 | 13/64-51/64 | B18 | 112 | 122 | 60 | 1685 |

Keyless Taper Mount (錐孔)

Heavy duty model 重型系列 #123

Industrial design especially for milling machines and drilling machines. All hardened parts ensure long life and safety while in operation.

擁有工業（工學）之設計，特別是針對銑床及鑽床機械。所有堅固的組成部份必能確保操作期間此鑽夾頭之安全性及高長效使用壽命。



H Type
Heavy duty model #123

| Code No. 型號 | Description 品名 | Size 尺寸 | Capacity 夾持範圍 | | OH | Length (mm) 長度 | | ØD | Weight 重量 (g) |
|----------------|-------------------|------------|---------------|---------|-----|----------------|----|------|------------------|
| | | | mm 公制 | inch 英制 | | A | B | | |
| BA12306101101A | 6H | 0.3-6.5 | 1/64-1/4 | JT1 | 62 | 68 | 33 | 310 | |
| BA12308101101A | 8H | 0.3-8 | 1/64-5/16 | JT1 | 70 | 77 | 38 | 410 | |
| BA12308101102A | 8H | 0.3-8 | 1/64-5/16 | JT2S | 70 | 77 | 38 | 410 | |
| BA12308101103A | 8H | 0.3-8 | 1/64-5/16 | B10 | 70 | 77 | 38 | 410 | |
| BA12308101104A | 8H | 0.3-8 | 1/64-5/16 | B12 | 70 | 77 | 38 | 410 | |
| BA12310101101A | 10H | 0.3-10 | 1/64-3/8 | JT2 | 80 | 91 | 43 | 630 | |
| BA12310101103A | 10H | 0.3-10 | 1/64-3/8 | JT33 | 80 | 91 | 43 | 630 | |
| BA12310101102A | 10H | 0.3-10 | 1/64-3/8 | JT2S | 80 | 91 | 43 | 630 | |
| BA12310101104A | 10H | 0.3-10 | 1/64-3/8 | B10 | 80 | 91 | 43 | 630 | |
| BA12310101105A | 10H | 0.3-10 | 1/64-3/8 | B12 | 80 | 91 | 43 | 630 | |
| BA12313101102A | 13H | 0.3-13 | 1/64-1/2 | JT33 | 90 | 102 | 50 | 940 | |
| BA12313101103A | 13H | 0.3-13 | 1/64-1/2 | JT6 | 90 | 102 | 50 | 940 | |
| BA12313101105A | 13H | 0.3-13 | 1/64-1/2 | B12 | 90 | 102 | 50 | 940 | |
| BA12313101107A | 13H | 0.3-13 | 1/64-1/2 | B16 | 90 | 102 | 50 | 940 | |
| BA12313101101A | 13H | 0.3-13 | 1/64-1/2 | JT2 | 90 | 102 | 50 | 940 | |
| BA12316101102A | 16H | 3-16 | 1/8-5/8 | JT6 | 102 | 114 | 57 | 1300 | |
| BA12316101101A | 16H | 3-16 | 1/8-5/8 | JT3 | 102 | 114 | 57 | 1300 | |
| BA12316101103A | 16H | 3-16 | 1/8-5/8 | B16 | 96 | 108 | 57 | 1300 | |
| BA12316101104A | 16H | 3-16 | 1/8-5/8 | B18 | 102 | 114 | 57 | 1300 | |

* Custom-Built products are available on request. * 特製品可於客戶需求訂製

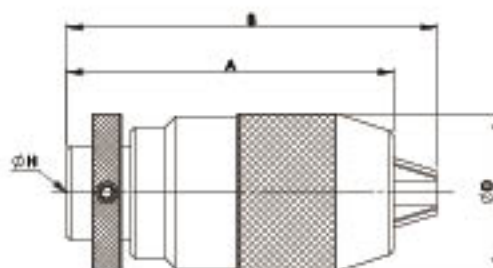
Keyless Taper Mount (錐孔)

Medium duty model 中型系列 #124

Stable quality of tapered mounting, suitable for bench and pedestal drilling machines.
此錐孔規格之夾頭產品，擁有穩定之品質，適用於檯式鑽床及懸臂鑽床



M Type
Medium duty model #124



| Code No. 型號 | Description 品名 | Size 尺寸 | Capacity 夾持範圍 | | D.H | Length (mm) 長度 | | OD | Weight 重量 (g) |
|----------------|----------------|---------|---------------|----------|------|----------------|----|----|---------------|
| | | | mm 公制 | inch 英制 | | A | B | | |
| BA12413101101A | | 13M | 0.5-13 | 1/64-1/2 | JT2 | 87 | 99 | 43 | 648 |
| BA12413101103A | | 13M | 0.5-13 | 1/64-1/2 | JT6 | 87 | 99 | 43 | 648 |
| BA12413101106A | | 13M | 0.5-13 | 1/64-1/2 | B16 | 87 | 99 | 43 | 648 |
| BA12413101102A | | 13M | 0.5-13 | 1/64-1/2 | JT33 | 87 | 99 | 43 | 648 |

* Custom-Built products are available on request. * 特製品可於客戶需求訂製

Hook Wrench (勾扳手系列)

Hook wrench model #128

Hook wrench suitable for #122 #126 #127 etc...
此系列適用於 #122 #126 #127 等夾頭



| Code No. 型號 | Description 品名 | Type 規格 | Weight (g) 重量 |
|----------------|----------------|---------|---------------|
| BA12806000001A | | 6S | 70 |
| BA12808000001A | | 8S | 82 |
| BA12810000001A | | 10S | 105 |
| BA12813000001A | | 13S | 120 |
| BA12816000001A | | 16S | 110 |
| BA12820000001A | | 20S | 130 |

* Custom-Built products are available on request. * 特製品可於客戶需求訂製

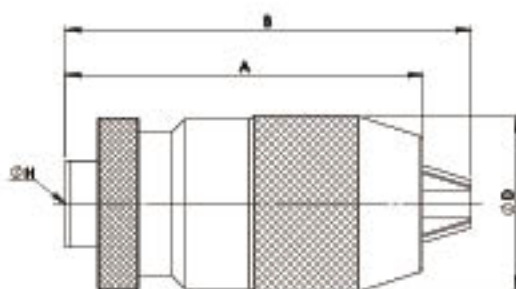
Keyless Thread Mount (螺紋)

Medium duty model 中型系列 #125

Stable quality of threaded mounting, suitable for bench and pedestal drilling machines.
此螺紋規格之夾頭產品，擁有穩定之品質，適用於檯式鑽床及懸臂鑽床



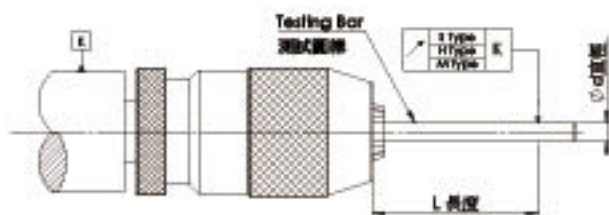
M Type
Medium duty model #125



| Code No. 型號 | Description 品名 | Size 尺寸 | Capacity 夾持範圍 | | OH | Length (mm) 長度 | | OD | Weight 重量 (g) |
|----------------|-------------------|------------|---------------|----------|-----------|----------------|----|----|------------------|
| | | | mm 公制 | Inch 英制 | | A | B | | |
| BA12513101103A | | 13M | 0.5-13 | 1/64-1/2 | 1/2-20UNF | 87 | 99 | 43 | 650 |
| BA12513101101A | | 13M | 0.5-13 | 1/64-1/2 | 3/8-24UNF | 87 | 99 | 43 | 650 |

Keyless Drill Chuck Run Out Table Keyless
鑽夾頭同心度檢驗表

| Capacity 夾持範圍 mm | rod 直徑 mm | L 長度 mm | S Type | H Type | M Type |
|---------------------|--------------|------------|--------|--------|--------|
| 8 | 4 | 35 | ↗ | ↗ | ↗ |
| | 6 | 35 | 0.05 | 0.07 | 0.15 |
| | 8 | 50 | | | |
| 10 | 6 | 35 | 0.05 | 0.07 | 0.15 |
| | 10 | 60 | | | |
| | 13 | 75 | | | |
| 13 | 6 | 55 | 0.05 | 0.07 | 0.15 |
| | 10 | 75 | | | |
| | 13 | 75 | | | |
| 16 | 6 | 55 | 0.05 | 0.07 | 0.15 |
| | 10 | 80 | | | |
| | 16 | 80 | | | |



* Custom-Built products are available on request * 特製品可於客戶需求訂製

Titanium Jaws Chuck 鈦極系列

Arbor Type(連柄一體式) / Special Heavy duty model 特重型系列 #126

Designed together with arbor structure makes its performance perfect for drilling press and machine center. Precisely machined and ground components ensure the tolerance and accuracy. The clamping three jaws adopt high tech Titanium. The benefit of adopting Titanium is to increase the intensity and wear-resistance.

附有夾頭柄結構之設計，使得它更適於銑床及綜合切削機且有更趨於完美之美觀。精密的機械工學和堅固耐用的組成確保了力及精度。

夾爪採用高科技的鈦合金鍍膜，可使夾爪更耐磨耐用及確保精度。



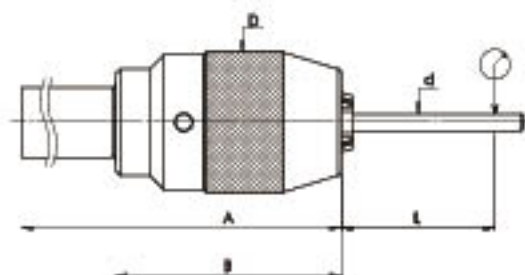
MT



D



R



| Code No. 型號 | Description 品名 | Type 規格 | Capacity 夾持範圍 | | Taper Mount No. DN or Jacobs 鑽孔夾頭 型式 | Length 長度 (mm) | | | Weight 重量 (g) | Spanner No. 地牛 型號 |
|----------------|-------------------|------------|---------------|---------|--|----------------|----|-----------------|------------------|-------------------------|
| | | | mm 公制 | Inch 英制 | | A | B | D Inch 外径 | | |
| BA12608201001A | 85 | 0.3-8 | 1/64-5/16 | MT2 | 141 | 61 | 38 | 400 | BA1280800001A | |
| BA12610201001A | 105 | 0.3-10 | 1/64-3/8 | MT2 | 151 | 70 | 43 | 700 | BA1281000001A | |
| BA12613201001A | 135 | 0.3-13 | 1/64-1/2 | MT2 | 161 | 81 | 50 | 1010 | BA1281300001A | |
| BA12613201002A | 135 | 0.3-13 | 1/64-1/2 | MT3 | 180 | 81 | 50 | 1140 | BA1281300001A | |
| BA12613201004A | 135 | 0.3-13 | 1/64-1/2 | MT4 | 205 | 81 | 50 | 1490 | BA1281300001A | |
| BA12616201001A | 165 | 3-16 | 1/8-5/8 | MT3 | 185 | 85 | 57 | 1445 | BA1281600001A | |
| BA12616201002A | 165 | 3-16 | 1/8-5/8 | MT4 | 210 | 85 | 57 | 1770 | BA1281600001A | |
| MT: 黃柄 連柄型 | | | | | | | | | | |
| BA12603301001A | *3S | 0.3-3 | 1/64-1/8 | D12 | 88.5 | 38 | 24 | 140 | | |
| BA12606201001A | 65 | 0.3-6.5 | 1/64-1/4 | D16 | 104 | 54 | 33 | 334 | BA1280600001A | |
| BA12608201003A | 85 | 0.3-8 | 1/64-5/16 | D20 | 121 | 61 | 38 | 510 | BA1280800001A | |
| BA12613201005A | 135 | 0.3-13 | 1/64-1/2 | D20 | 141 | 81 | 50 | 1030 | BA1281300001A | |
| BA12613201006A | 135 | 0.3-13 | 1/64-1/2 | D25 | 161 | 81 | 50 | 1190 | BA1281300001A | |
| BA12613201007A | 135 | 0.3-13 | 1/64-1/2 | D32 | 161 | 81 | 50 | 1405 | BA1281300001A | |
| BA12616201003A | 165 | 3-16 | 1/8-5/8 | D20 | 146 | 85 | 57 | 1330 | BA1281600001A | |
| BA12616201004A | 165 | 3-16 | 1/8-5/8 | D25 | 166 | 85 | 57 | 1480 | BA1281600001A | |
| BA12616201005A | 165 | 3-16 | 1/8-5/8 | D32 | 166 | 85 | 57 | 1700 | BA1281600001A | |
| D: 黃柄 * 3S 為鑽柄 | | | | | | | | | | |
| BA12613201008A | 135 | 0.3-13 | 1/64-1/2 | R8 | 184 | 81 | 50 | 1260 | BA1281300001A | |
| BA12616201006A | 165 | 3-16 | 1/8-5/8 | R8 | 188 | 85 | 57 | 1530 | BA1281600001A | |
| R: 不銹鋼柄 | | | | | | | | | | |

Keyless Drill Chuck Run Out Table Inspection

無夾頭同心度檢驗表

| Type 規格 | 子口 直徑 mm | L 長度 mm | Max. Run-Out 最大同心度 mm |
|---------|----------|---------|-----------------------|
| 3S | 2 | 30 | 0.05 |
| | 3 | | |
| 65 | 4 | 35 | 0.05 |
| | 6 | | |
| 85 | 4 | 35 | 0.05 |
| | 6 | | |
| 105 | 8 | 50 | 0.05 |
| | 6 | | |
| 135 | 6 | 55 | 0.05 |
| | 8 | | |
| 165 | 10 | 60 | 0.05 |
| | 6 | | |
| 13S | 6 | 55 | 0.05 |
| | 10 | | |
| 16S | 6 | 55 | 0.05 |
| | 10 | | |
| | 13 | 75 | |
| | 6 | 55 | |
| | 10 | 55 | |
| | 16 | 80 | |

*Custom-Bu's products are available on request. * 特製品可於客戶需求訂製

Titanium Jaws Chuck 鈦極系列

Tool Shank Type (帶刀柄式) / Heavy duty & Special heavy duty model 重型及特重型系列 #127

Multi-choices of mounting specification offers quick changeover on machine center.

The clamping three jaws adopt high tech Titanium.

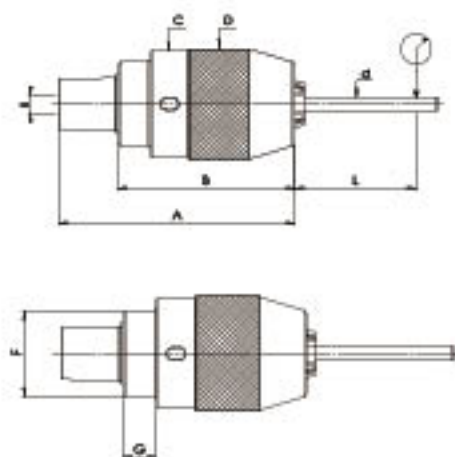
The benefit of adopting Titanium is to increase the intensity and wear-resistance.

擁有可搭配不同刀柄座規格之多量選擇;當您使用於綜合切削機時,它能讓您迅速地更換。

夾爪採用高科技的鈦合金鍍膜,可使夾爪更耐磨耐用及確保精度。



| Description 品名 Code No. 型號 | Type 規格 | Capacity 容量範圍 | | Male Taper 螺紋規格 | A mm | B mm | C mm | D mm | E mm | F mm | G mm | Weight (g) 重量 | Spanner No. 適用扳手 |
|-------------------------------|---------|---------------|-----------|-----------------|-------|------|------|------|-------------|------|------|------------------|---------------------|
| | | mm 公制 | inch 英制 | | | | | | | | | | |
| BA12706201001A | 6S | 0.3-6.5 | 1/64-1/4 | MT2 | 78 | 54 | 32 | 33 | M6 P1.0 | 26.5 | 7.5 | 300 | BA1280600001A |
| BA12708201001A | 8S | 0.3-8 | 1/64-5/16 | MT2 | 85 | 60.5 | 36 | 38 | M6 P1.0 | 30 | 10.5 | 400 | BA1280800001A |
| BA12710201001A | 10S | 0.3-10 | 1/64-3/8 | MT2 | 95 | 70 | 41 | 43 | M6 P1.0 | 33.5 | 12 | 650 | BA1281000001A |
| BA12713201003A | 13S | 0.3-13 | 1/64-1/2 | MT3 | 107.5 | 80.5 | 48 | 50 | M8 P1.25 | 38 | 15 | 960 | BA1281300001A |
| BA12716201002A | 16S | 3-16 | 1/8-5/8 | MT3 | 112 | 85 | 54.5 | 57 | M8 P1.25 | 43 | 16 | 1250 | BA1281600001A |



Keyless Drill Chuck Run Out Table Inspection

無夾環鑽心鑽頭驗表

| Type 規格 | 寸口直徑 mm | L 長度 mm | R Type |
|---------|---------|---------|--------|
| 6S | 4 | 35 | 0.05 |
| | 6 | 35 | |
| 8S | 4 | 35 | 0.05 |
| | 8 | 50 | |
| 10S | 6 | 35 | 0.05 |
| | 10 | 60 | |
| 13S | 6 | 55 | 0.05 |
| | 13 | 75 | |
| 16S | 6 | 55 | 0.05 |
| | 16 | 80 | |

*Custom-Built products are available on request. * 特製品 可於客戶需求訂製

Stainless Steel Drill Chuck 不銹鋼系列

Key Type Taper & Thread Mount 錐孔&螺紋 #129

(Used in electric discharging machining) 放電用

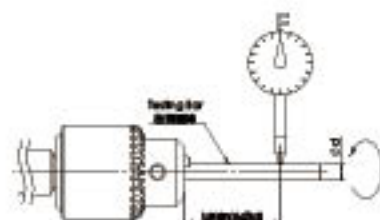


| Description 品名 | Size 尺寸 | H | Capacity 夾持範圍 | | Length 長度 (mm) | | Outer Dia 外径 (mm) | Weight 重量 (g) | Ød |
|-------------------|------------|-----------|---------------|-----------|----------------|------|----------------------|------------------|------|
| | | | mm 公制 | inch 英制 | A | B | | | |
| BA129040PJ101A | 4MTP | JT0 | 0.3-4 | 1/64-5/32 | 28 | 36 | 22 | 50 | Ø3.2 |
| BA129060PJ201A | 6MTP | JT1 | 0.5-6.5 | 1/64-1/4 | 40.5 | 49.7 | 29.4 | 125 | Ø4.0 |
| BA129060HT201A | 6MTP | 3/8-24UNF | 0.5-6.5 | 1/64-1/4 | 40.5 | 49.7 | 29.4 | 130 | Ø4.0 |
| BA129100PJ401A | 10MTP | JT2S | 0.5-10 | 1/64-3/8 | 51 | 63 | 39 | 250 | Ø5.5 |
| BA129100DD702A | 10MTD | D13 | 0.5-10 | 1/64-3/8 | 57 | 69 | 37 | 250 | Ø6.0 |
| BA129100DD803A | 10MTD | D15 | 0.5-10 | 1/64-3/8 | 57 | 69 | 37 | 250 | Ø6.0 |
| BA129100HT201A | 10MTH | 3/8-24UNF | 0.5-10 | 1/64-3/8 | 51 | 63 | 39 | 250 | Ø5.5 |
| BA129130PJ901A | 13MTP | JT6 | 1-13 | 1/32-1/2 | 63 | 77 | 45 | 420 | Ø6.5 |
| BA129130HT301A | 13MTH | 1/2-20UNF | 1-13 | 1/32-1/2 | 63 | 77 | 45 | 420 | Ø6.5 |
| BA129160PJ901A | 16MTP | JT6 | 1-16 | 1/32-5/8 | 76.5 | 95 | 55 | 725 | Ø8.0 |
| BA129160HT301A | 16MTH | 1/2-20UNF | 1-16 | 1/32-5/8 | 76.5 | 95 | 55 | 725 | Ø8.0 |

* Custom-Built products are available on request. * 特製品可於客戶需求訂製

Key Type Drill Chuck Run Out Table Inspection 錐孔螺紋心度檢驗表

單位 (Unit):mm



| Type 規格 | Ød 直徑 mm | L 長度 mm | Max Run Out 不同心度 |
|---------|-------------|------------|---------------------|
| 4M | 3 | 4xØd | 0.15 |
| 6M | 6 | | |
| 10M | 10 | | |
| 13M | 12 | | |
| 16M | 15 | | |

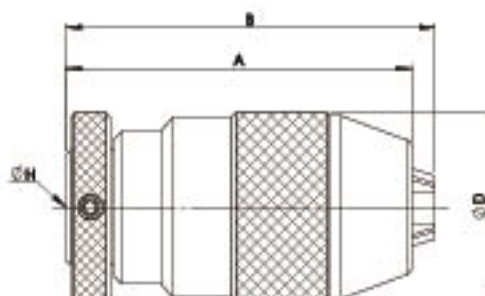
* Custom-Built products are available on request 特製品可於客戶需求訂製

* 所有夾頭三爪夾持檢驗時，須于三孔鑽平均線上使用驗棒檢驗度以得到準確度 ***The three jaws of the chuck clamp the test bar, must be with wrench lock the three holes then make sure the accuracy***

Stainless Steel Drill Chuck 不銹鋼系列

Key Type Taper & Thread Mount 錐孔&螺紋 #130 / #140

#130:(Used in electric discharging machining) 放電用
#140:(without oil)



| Code/品號 | Description 品名 | Size 尺寸 | Capacity 夾持範圍 | | CH | Length 長度 (mm) | | Outer Dia 外徑 (mm) | Weight 重量 (g) |
|---------|-------------------|---------|---------------|----------|-----|----------------|------|----------------------|------------------|
| | | | mm 公制 | Inch 英制 | | A | B | | |
| #130 | BA13003300002A | 3S | 0.3-3 | 1/64-1/8 | JT0 | 44 | 47.5 | 24 | 110 |
| | BA13003300003A | 3S | 0.3-3 | 1/64-1/8 | JT1 | 46 | 49.5 | 24 | 110 |
| | BA13006300001A | 6S | 0.3-6.5 | 1/64-1/4 | JT1 | 63 | 69.5 | 33 | 300 |
| #140 | BA14003300001A | 3S | 0.3-3 | 1/64-1/8 | JT0 | 44 | 47.5 | 24 | 110 |
| | BA14003300002A | 3S | 0.3-3 | 1/64-1/8 | JT1 | 46 | 49.5 | 24 | 110 |
| | BA14006300001A | 6S | 0.3-6.5 | 1/64-1/4 | JT1 | 63 | 69.5 | 33 | 300 |

Titanium Jaws Chuck 鈦極系列

Hex Key Drill Chuck 齒輪式夾頭 #133

Arbor structure makes its performance perfect for drilling press and machine center.

Fine components ensure the tolerance and accuracy well.

The benefit of jaws is to increase the intensity and wear-resistance.

1. 適合中高低轉速使用。
2. 輕鬆夾緊鑽頭、絲攻、絞刀、銑刀。
3. 夾緊力可靠、信賴。
4. 夾緊力可達 400-750kgf·cm。
5. 鍍鈦爪設計，增加耐磨功能。
6. 可正反轉。
7. 精度佳。



| Code No. 型號 | Size 尺寸 | Taper & Thread Mount No. Dia or Jaws 錐度及螺紋 | Capacity 夾持範圍 | | Length 長度 (mm) | | Weight 重量 (g) |
|----------------|---------|--|---------------|----------|----------------|---------------|---------------|
| | | | mm 公制 | Inch 英制 | Open 打開 (mm) | Close 關閉 (mm) | |
| BA133132J0001A | GHK13S | JT6 | 1-13 | 3/64-1/2 | 94 | 105 | 988 |
| BA133162J0001A | GHK16S | JT6 | 2.5-16 | 3/32-5/8 | 104 | 113 | 990 |
| BA133132B0001A | GHK13S | B16 | 1-13 | 3/64-1/2 | 95 | 107 | 1000 |
| BA133162B0001A | GHK16S | B16 | 2.5-16 | 3/32-5/8 | 104 | 115 | 1280 |



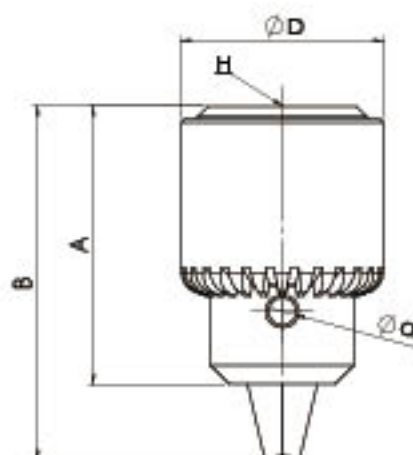
| Code No. 型號 | Size 規格 | GA | B | Capacity 夾持範圍 | | C | D | E | F | G | H | Weight 重量 (g) |
|----------------|---------|-----|------|---------------|-----------|------|----|----|----|----|---|---------------|
| | | | | mm | Inch | | | | | | | |
| BA133082M0001A | GHK8S | MT2 | 24 | 0.5-8 | 1/64-5/16 | 68 | 30 | 48 | 37 | M6 | 4 | 535 |
| BA133132M0001A | GHK13S | MT2 | 24 | 1-13 | 3/64-1/2 | 86.5 | 30 | 50 | 50 | M6 | 6 | 1122 |
| BA133162M0001A | GHK16S | MT2 | 24 | 2.5-16 | 3/32-5/8 | 91.5 | 30 | 50 | 50 | M6 | 6 | 1124 |
| BA133082M0002A | GHK8S | MT3 | 26.5 | 0.5-8 | 1/64-5/16 | 71.5 | 38 | 48 | 37 | M8 | 4 | 680 |
| BA133132M0002A | GHK13S | MT3 | 26.5 | 1-13 | 3/64-1/2 | 91 | 38 | 50 | 50 | M8 | 6 | 1290 |
| BA133162M0002A | GHK16S | MT3 | 26.5 | 2.5-16 | 3/32-5/8 | 96 | 38 | 50 | 50 | M8 | 6 | 1220 |

* Custom-Built products are available on request. * 特製品可於客戶需求訂製

Stainless Steel Drill Chuck 不銹鋼系列

Key Type Taper & Thread Mount 錐孔&螺紋 #141

(Without oil)



| Code No. 型號 | Description 品名 | Size 尺寸 | CH | Capacity 夾持範圍 | | Length 長度 (mm) | | Outer Dia 外徑 (mm) | Weight 重量 (g) | Ød |
|----------------|-------------------|------------|----|---------------|-----------|----------------|------|----------------------|------------------|------|
| | | | | mm 公制 | inch 英制 | A | B | | | |
| BA141040PJ101A | 4MTP | JT0 | | 0.3-4 | 1/64-5/32 | 28 | 36 | 22 | 50 | Ø3.2 |
| BA141040HT201A | 4MTH | 3/8-24UNF | | 0.3-4 | 1/64-5/32 | 28 | 36 | 22 | 50 | |
| BA141060HT101A | 6MTH | 5/16-24UNF | | 0.5-6.5 | 1/64-1/4 | 40.5 | 49.7 | 28.5 | 130 | Ø4 |
| BA141060PJ201A | 6MTP | JT1 | | 0.5-6.5 | 1/64-1/4 | 40.5 | 49.7 | 29.4 | 125 | |
| BA141060HT201A | 6MTH | 3/8-24UNF | | 0.5-6.5 | 1/64-1/4 | 40.5 | 49.7 | 28.4 | 130 | Ø5.5 |
| BA141100PJ401A | 10MTP | JT2S | | 0.5-10 | 1/64-3/8 | 57 | 63 | 39 | 250 | |
| BA141100HT201A | 10MTH | 3/8-24UNF | | 0.5-10 | 1/64-3/8 | 51 | 63 | 39 | 250 | |

* Custom-Built products are available on request * 特製品可於客戶需求訂製

Applications

1. Used in electric discharging machining (EDM).
2. For special application on chemical-mixing.
3. For special application on food-mixing.
4. For special application on boat/ship-drilling.

產品應用

1. 銲孔放電加工機 (EDM)
2. 實驗室攪拌
3. 食品攪拌
4. 海洋船舶加工

Design Features

1. Stainless material is applied to each component.
2. Special design: Working smoothly.
3. Chemical surface treatment is made for each component.
4. Anti-Corrosion (anti-rust) even if used in the environment of high acidity, high alkalinity or high humidity.
5. Radius design on sleeve; it would not rip the glove; therefore, minimizes the risk of Operator safety.
6. Smooth appearance: being Convenient for users.

特點

1. 所有零件採用不銹鋼材質
2. 特殊設計，轉動順暢
3. 所有料件都經過化學表面處理
4. 在高酸性、高鹼性或高溼度的環境下使用，不易腐蝕 (生鏽)
5. 外殼圓角設計，不勾破手套，降低操作人員安全之風險
6. 滑順的外觀，使用更順手方便

Key 扳手

#116



黑鐵 (黑 Normal Steel 或 電鍍 Plated Steel) 扳手

| Code No. 型號 | Ød | *Used on 適用機具* | Shape 型號/外型 | Weight 重量 (g) |
|----------------|------|-------------------|----------------|------------------|
| BA116040B0001A | Ø3.2 | 4MTP | 噴砂 / T 型 | 16 |
| BA116040B0002A | Ø3.2 | 4MTP | 磁振 / T 型 | 32 |
| BA116060A0001A | Ø4 | 6MTP | 染黑 / 揮耳式 | 37 |
| BA116060B0001A | Ø4 | 6MTP | 噴砂 / T 型 | 39 |
| BA116060B0002A | Ø4 | 6MTP | 染黑 / T 型 | 43 |
| BA116100A0001A | Ø5.5 | 10MTP | 染黑 / 揮耳式 | 46 |
| BA116100C0001A | Ø5.5 | 10MTP | 染黑 / 揮推型 | 45 |
| BA116100D0001A | Ø6 | 10MTP | 鍍鍍 / 焊靴式 | 41 |
| BA116100B0001A | Ø5.5 | 10MTP/6MTP | 噴砂 / T 型 | 47 |
| BA116060A0002A | Ø6 | 10MTP | 鍍鍍 / 揮耳式 | 46 |
| BA116100A0002A | Ø6 | 10MTP | 染黑 / 揮耳式 | 47 |
| BA116130A0001A | Ø6.5 | 13MTP | 染黑 / 揮耳式 | 52 |
| BA116130C0001A | Ø6.5 | 13MTP | 染黑 / 揮推型 | 44 |
| BA116130D0001A | Ø6 | 13MTP | 染黑 / 焊靴式 | 43 |
| BA116160A0001A | Ø8 | 13MTP/16MTP | 染黑 / 揮耳式 | 85 |
| BA116160C0001A | Ø8 | 16MTP | 染黑 / 揮推型 | 87 |
| BA116160B0001A | Ø8 | 16MTP | 染黑 / T 型 | 84 |

* Custom-Built products are available on request. * 特製品可於客戶需求訂製