

## MAS 403 PULL STUD TYPE CLAMPING

### 四瓣爪 MAS 403 PULL STUD TYPE CLAMPING

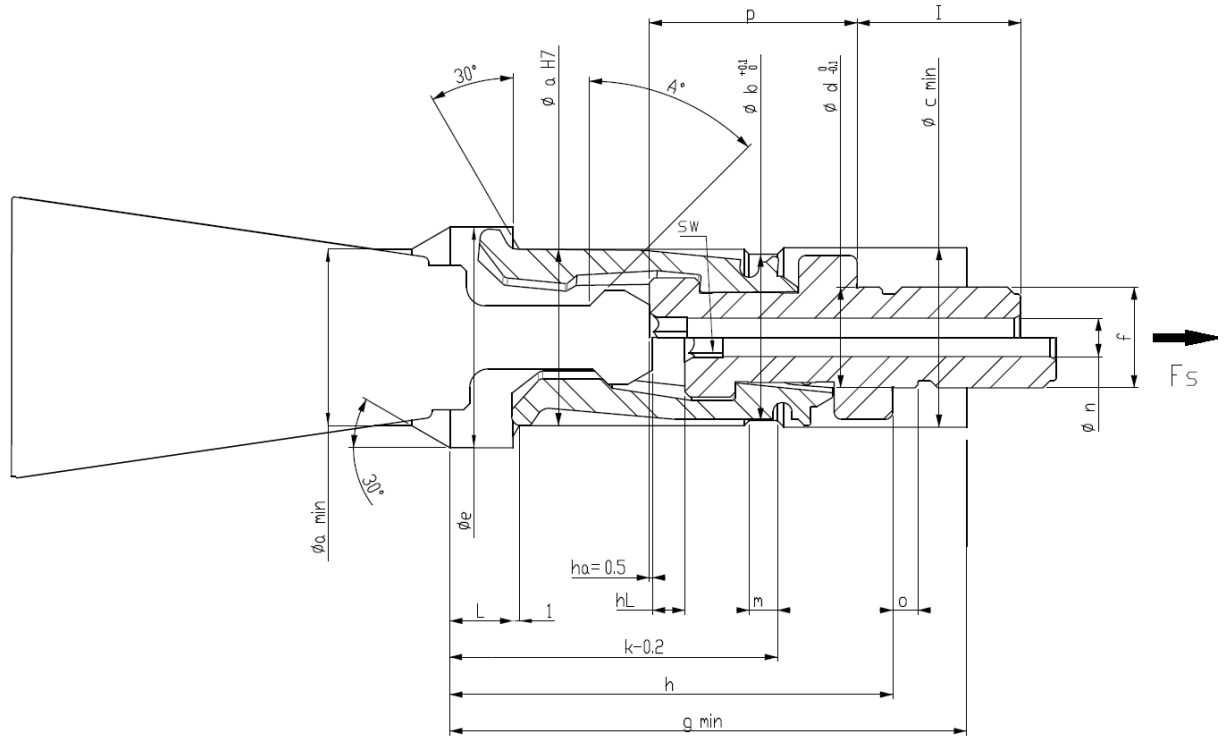
#### ■ Design Features

- All the above materials are composed of alloy steel.
- The Gripper in accordance with the tool standard of MAS 403 system.
- Grippers are developed for integrated and comprise four clamping segments, which is suitable for high and low-speed turning spindles.
- The surfaces of Grippers are wear-resisting, anticorrosive and special tensile force treatment. The tensile force can bear 1,000 KG force which means 1 million times of lifetime testing circle in our each Grippers. (\*\*ie.BT40)
- Easy to assemble and suitable for every type of spindles.
- Our Grippers adopt the rules of BERG standards.

#### ■ 特點

- 四瓣爪材料皆以合金鋼製成
- 此四瓣爪依據 MAS 403 標準工具規範製作
- 一體式分隔爪片設計適用於各種高低轉速之主軸
- 爪片表面經耐磨耗、防腐蝕之特殊處理，拉力經循環壽命測試機測試可承受 100Kg、100 萬次 (\*BT40 為例)
- 採用易拆裝設計，適於各型系列主軸使用
- 同步採用德國 BERG 之說明規範





Code No. 型號	TYPE 規格	A°	a	b	c	d	e	g	h	f
BA900BGB30001A	BT30-45°	45°								
BA900BGB30002A	BT30-30°	30°	19	17.8	20.2	10	24	50	47	M10xP1.5
BA900BGB30003A	BT30-90°	90°								
BA900BGB40001A	BT40-45°	45°								
BA900BGB40002A	BT40-30°	30°	28	26.4	28.5	16	35	82	70	M16xP1.5
BA900BGB40003A	BT40-90°	90°								
BA900BGB50001A	BT50-45°	45°								
BA900BGB50002A	BT50-30°	30°	43	40.4	43.5	22	54	98	90	M22xP1.5
BA900BGB50003A	BT50-90°	90°								
BA900BGB60001A	BT60-45°	45°	62	58.6	62.5	30	77	130	117	M30xP1.5

Code No. 型號	TYPE 規格	l	k	L	m	n	o	p	hL	Fs max(kN)	MA(Nm)
BA900BGB30001A	BT30-45°										
BA900BGB30002A	BT30-30°	20	37	7.5	3.5	3	3	21	3	10	20
BA900BGB30003A	BT30-90°										
BA900BGB40001A	BT40-45°										
BA900BGB40002A	BT40-30°	26	52	10	4.5	6	4	33	5	18	65
BA900BGB40003A	BT40-90°										
BA900BGB50001A	BT50-45°										
BA900BGB50002A	BT50-30°	34.5	69	16	5	9	5	37	8	35	160
BA900BGB50003A	BT50-90°										
BA900BGB60001A	BT60-45°	40	96	23	6.5	16	5	49.5	10.5	70	450

\* Fs : 最大拉刀力 (Max.clamping Force)  
 \* MA : 最大鎖緊扭矩 (Max.Tightening Torque)