

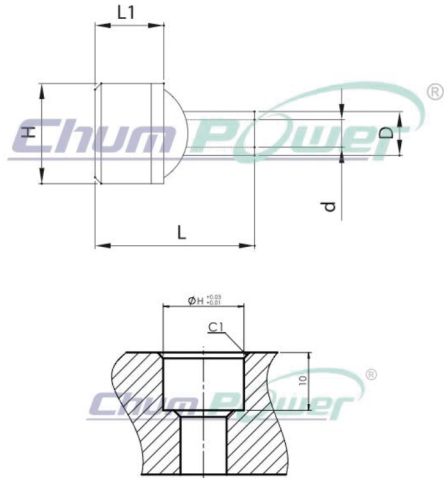
Spray Nozzle Series

Plastic Type

The Coolant Spray Nozzle could easily adjust its direction and spray precisely. When the coolants correspond with three pressures-low, medium and high pressures, it can improve cooling efficiency of tools. They are suitable for CNC Machine Center, CNC Lathes, CNC Milling Machine, Grinding Machine and so on. The products can enhance the processing efficiency and accuracy. Also it is helpful for extending the lifetime of tools and decreasing the cost.

噴水頭系列 塑料型

可任意調整噴水口角度，並有效對應低、中、高冷卻液液壓，提昇刀具冷卻效率。適用於綜合切削機、銑床、車床等各式工具機。此項產品除可提高加工效率及精度外，亦有助於延長工具使用壽命和減少成本消耗。



Code No. 型號	∅H	L	L1	D	d	FIG
90151	10	-	7	6	3	1
90152	12	-	8	5	3	1
90154	14	-	10	6	3.8	1
90156	16	-	11	7	4.4	1
90157	14	17	10	6	3	2
90158	12	15	8	5	3	2
9015200	12	19	8	5	3	3
9015400	14	22	10	5	3.8	3
9015600	16	25.5	11	7	4.4	3