



▶ Quick Change Tapping Chucks

▶ With Length Compensation

Features:

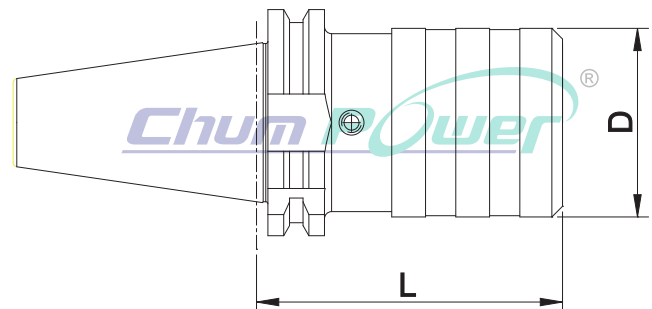
- Quick Change of Tap Adapters.
- Length Compensation could prevent tap from breaking upon tapping.

▶ 快換式絲攻刀桿

▶ 伸縮緩衝型

特性：

- 快換式絲攻連接桿
- 緩衝可預防絲攻在攻牙時斷落



Code NO. 型號	Type 規格	Capacity 攻牙能力	L	D	Collets 適用筒夾
36251	SK30-WF12	M3-M12	70	36	TC312/B
36151	SK30-WF20	M8-M20	105	53	TC820/B
6281	SK40-WF12	M3-M12	75	36	TC312/B
6181	SK40-WF20	M8-M20	95	53	TC820/B
36360	SK40-WF33	M14-M33	160	78	TC1433/B
36275	SK50-WF12	M3-M12	85	36	TC312/B
36175	SK50-WF20	M8-M20	105	53	TC820/B
36385	SK50-WF33	M14-M33	150	78	TC1433/B

*Custom-Built products are available on request. *特製品可依客戶需求訂製
*Tap collets to be ordered separately. *絲攻夾頭需另購