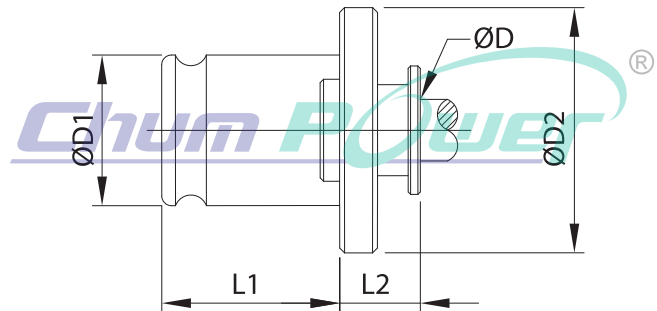




- ▶ Quick Change Tap Collets-Rigid Type ▶ 快換式絲攻-剛性
- ▶ DIN 376 ▶ DIN 376



Code NO. 型號	TC 308B DIN376 Tap	Tap Shank 絲攻尺寸		Capacity 攻牙能力	L1 (mm)	L2 (mm)	øD1 (mm)	øD2 (mm)
		øD柄徑	四方孔					
35836	M3.5	2.5	2.1	M 3~M 8	19.5	7	12.65	22
35838	M 4	2.8	2.1					
35840	M4.5	3.5	2.7					
35842	M 5	3.5	2.7					
35844	M 6	4.5	3.4					
35846	M 7	5.5	4.3					
35848	M 8	6.0	4.9					
35850	M10	7.0	5.5					
35852	M12	9.0	7.0					
35854	M14	11.0	9.0					
35856	M16	12.0	9.0					
Code NO. 型號	TC312B DIN376 Tap	Tap Shank 絲攻尺寸		Capacity 攻牙能力	L1 (mm)	L2 (mm)	øD1 (mm)	øD2 (mm)
		øD柄徑	四方孔					
35440	M3.5	2.5	2.1	M 3~M14	22	7	19	30
35442	M 4	2.8	2.1					
35444	M4.5	3.5	2.7					
35446	M 5	3.5	2.7					
35448	M 6	4.5	3.4					
35450	M 7	5.5	4.3					
35452	M 8	6.0	4.9					
35454	M10	7.0	5.5					
35456	M12	9.0	7.0					
35458	M14	11.0	9.0					
Code NO. 型號	TC820B DIN376 Tap	Tap Shank 絲攻尺寸		Capacity 攻牙能力	L1 (mm)	L2 (mm)	øD1 (mm)	øD2 (mm)
		øD柄徑	四方孔					
35534	M 8	6.0	4.9	M 8~M24	36	11	31	48
35536	M10	7.0	5.5					
35538	M12	9.0	7.0					
35540	M14	11.0	9.0					
35542	M16	12.0	9.0					
35544	M18	14.0	11.0					
35546	M20	16.0	12.0					
35548	M22	18.0	14.5					
35550	M24	18.0	14.5					
Code NO. 型號	TC1433B DIN376 Tap	Tap Shank 絲攻尺寸		Capacity 攻牙能力	L1 (mm)	L2 (mm)	øD1 (mm)	øD2 (mm)
		øD柄徑	四方孔					
35636	M14	11.0	9.0	M14~M36	56	14	48	70
35638	M16	12.0	9.0					
35640	M18	14.0	11.0					
35642	M20	16.0	12.0					
35644	M22	18.0	14.5					
35646	M24	18.0	14.5					
35648	M27	20.0	16.0					
35650	M30	22.0	18.0					
35652	M33	25.0	20.0					
35654	M36	28.0	22.0					

*Custom-Built products are available on request. *特製品可依客戶需求訂製