

▷ Tap Chuck Reducer

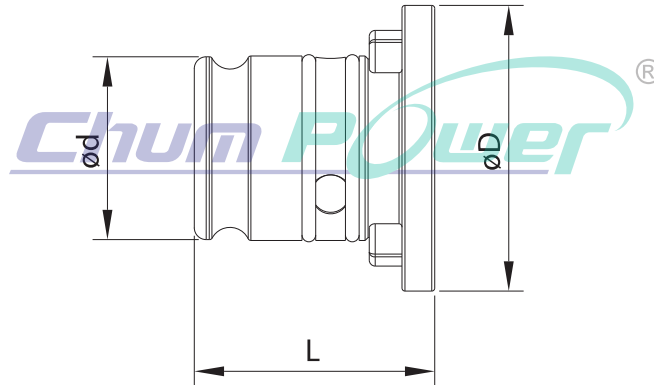
Features:

- The Tap Chuck Adapter is designed for transferring variety tapping machine system. It is easy to quick change for users and apply in different system tools.

▷ 絲攻轉接頭

特性：

- 絲攻轉接頭之設計目的，是為了轉換各種不同系統的絲攻機台，使用者可容易快換並節省工具成本。



組接示意圖

Code NO. 型號	SPEC. 規格	L	ØD	ød	Collets 適用筒夾	Weight(g) 重量
3600400	TC820→TC312	40.4	48	31	TC312 TC312B	168
3600800	TC1433→TC820	62.6	69	48	TC820 TC820B	558

*Custom-Built products are available on request. *特製品可依客戶需求訂製
*Tap collets to be ordered separately. *絲攻夾頭需另購