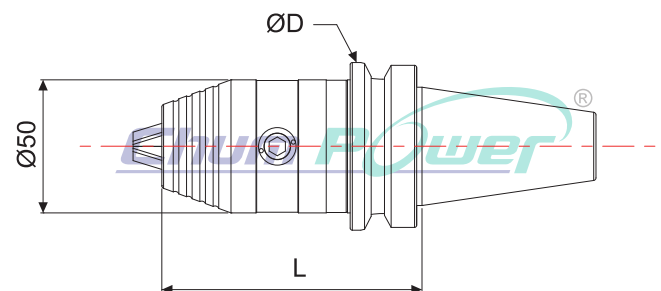


## BT Hex Key Drill Chuck

BT 齒輪式夾頭

MAS 403 (JIS B 6339)



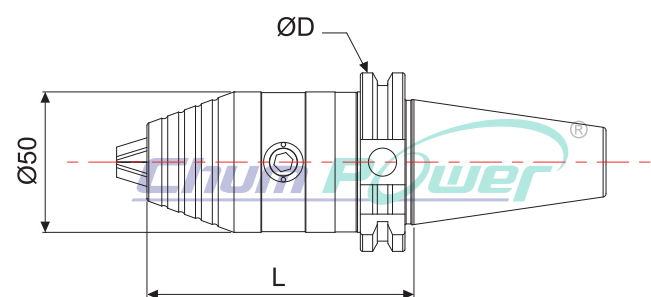
Code NO. 型號	Type 規格	夾持量 mm	Capacity inch	L	ØD
BT22518	BT40xGHK13-98	0.3-13	3/64-1/2	98	63
BT22520	BT40xGHK16-103	1.5-16	1/16-5/8	103	63
BT22550	BT50xGHK13-109	0.3-13	3/64-1/2	109	100
BT22560	BT50xGHK16-114	1.5-16	1/16-5/8	114	100

\*Custom-built products are available on request.

## SK Hex Key Drill Chuck

SK 齒輪式夾頭

DIN 69871



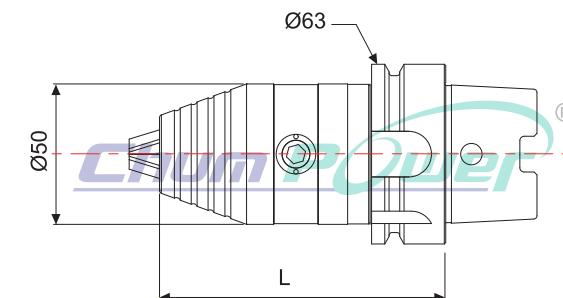
Code NO. 型號	Type 規格	夾持量 mm	Capacity inch	L	ØD
SK22520	SK40xGHK13-90	0.3-13	3/64-1/2	90	63.55
SK22530	SK40xGHK16-95	1.5-16	1/16-5/8	95	63.55
SK22550	SK50xGHK13-90	0.3-13	3/64-1/2	90	97.5
SK22560	SK50xGHK16-95	1.5-16	1/16-5/8	95	97.5

\*Custom-built products are available on request.

## HSK Hex Key Drill Chuck

HSK 齒輪式夾頭

DIN 69893



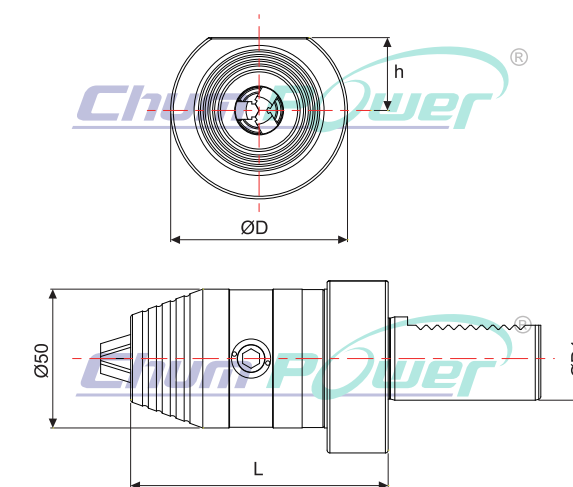
Code NO. 型號	Type 規格	夾持量 mm	Capacity inch	L
HK22526	HSK63AxGHK13-105	0.3-13	3/64-1/2	105
HK22528	HSK63AxGHK16-110	1.5-16	1/16-5/8	110

\*Custom-built products are available on request.

## VDI Hex Key Drill Chuck

VDI 齒輪式夾頭

DIN 69880-1



Code NO. 型號	Type 規格	夾持量 mm	Capacity inch	L	ØD	h	ØD1
VD22533	VDI30xGHK13-93	0.3-13	3/64-1/2	93	68	28	30
VD22536	VDI30xGHK16-98	1.5-16	1/16-5/8	98	68	28	30
VD22542	VDI40xGHK13-93	0.3-13	3/64-1/2	93	83	32	40
VD22545	VDI40xGHK16-98	1.5-16	1/16-5/8	98	83	32	40

\*Custom-built products are available on request.