

HSK CHU CNC DRILL CHUCKS

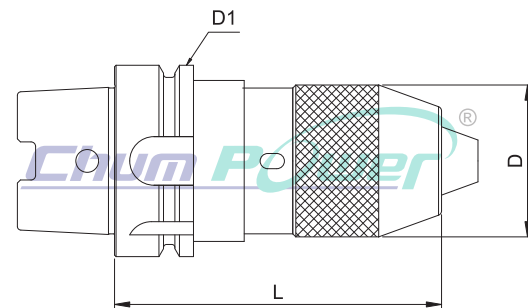
HSK 直結式鑽夾頭

HSK Shank DIN 69893-1A

FEATURES:

- 3 times better clamping capacity, comparing to keyed drill chucks.
- The drill bit won't be loosen or falling off.
- Twice precision than the keyed drill chucks.
- The drill chuck is interchangeable.

- 比普通夾頭多3倍的夾持力
- 鑽頭不會鬆脫或掉落
- 比普通夾頭多出2倍精準
- 可替換式的夾頭



Code NO. 型號	TYPE 規格	L	D	D1	Spanner No. 扳手編號
HK01510	HSK50AxCHU13-110	110	50	50	12806
HK01520	HSK63AxCHU13-145	145	50	63	12806
HK01530	HSK100AxCHU13-120	120	50	100	12806

*Custom-built products are available on request.

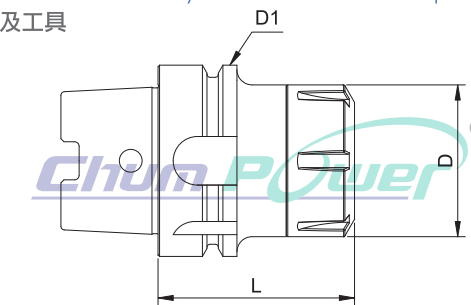
HSK ER COLLET CHUCKS

HSK刀把 ER立銑式

HSK Shank DIN 69893-1A with Collet Chuck DIN 6499

APPLICATION:

- The product can be applied for end mills, drill bits, drill reamers, taps, and can clamp any straight cutters and tools.
- The product matches HSK BBT system (Big+Plus). It can increase the stability on the side direction processing.
- 本產品可應用於銑刀, 鑽頭, 鉸刀, 絲攻及可夾持任何直式的刀具及工具
- 搭配HSK兩面拘束, 可增加側向加工的穩定性。



Code NO. 型號	TYPE 規格	L	D	D1	Spanner No. 扳手編號
HK02011	HSK40AxER20- 80	80	34	40	80072-03
HK02015	HSK40AxER25- 80	80	42	40	80072-04
HK02020	HSK50AxER16- 80	80	28	50	80072-02
HK02035	HSK50AxER20- 80	80	34	50	80072-03
HK02050	HSK50AxER25- 80	80	42	50	80072-04
HK02065	HSK50AxER32- 100	100	50	50	80072-05
HK02080	HSK63AxER16- 80	80	28	63	80072-02
HK02100	HSK63AxER20- 80	80	34	63	80072-03
HK02120	HSK63AxER25- 80	80	42	63	80072-04
HK02140	HSK63AxER32- 80	80	50	63	80072-05
HK02165	HSK63AxER40- 80	80	63	63	80072-06
HK02190	HSK63AxER50- 120	120	78	63	80072-07

*Custom-built products are available on request.

