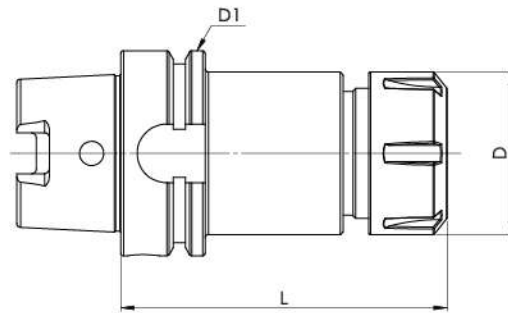


HSK ER COLLET CHUCK

HSK刀把 ER立銑式 HSK Shank DIN 69893-1A with Collet Chuck DIN 6499

■ Application / 產品適用

- The product can be applied for end mills, drill bits, drill reamers, taps, and can clamp any straight cutters and tools.
- The product matches HSK BBT system (Big+Plu). It can increase the stability on the side direction processing.
- 本產品可應用於銑刀，鑽頭，鉸刀，絲攻及可夾持任何直柄的刀具及工具。
- 搭配 HSK 兩面拘束，可增加側向加工的穩定性。



Code No. 型號	TYPE 規格	L	D	D1	Spanner No. 扳手編號
BA2HK4A024080A	HSK40A×ER20- 80	80	34	40	BA2ER20020001A
BA2HK4A105080A	HSK40A×ER25- 80	80	42	40	BA2ER25100001A
BA2HK5A023080A	HSK50A×ER16- 80	80	28	50	BA2ER16020001A
BA2HK5A024080A	HSK50A×ER20- 80	80	34	50	BA2ER20020001A
BA2HK5A105080A	HSK50A×ER25- 80	80	42	50	BA2ER25100001A
BA2HK5A106100A	HSK50A×ER32- 100	100	50	50	BA2ER32100001A
BA2HK6A023080A	HSK63A×ER16- 80	80	28	63	BA2ER16020001A
BA2HK6A024080A	HSK63A×ER20- 80	80	34	63	BA2ER20020001A
BA2HK6A105080A	HSK63A×ER25- 80	80	42	63	BA2ER25100001A
BA2HK6A106080A	HSK63A×ER32- 80	80	50	63	BA2ER32100001A
BA2HK6A107080A	HSK63A×ER40- 80	80	63	63	BA2ER40100001A
BA2HK6A108120A	HSK63A×ER50- 120	120	78	63	BA2ER50100001A

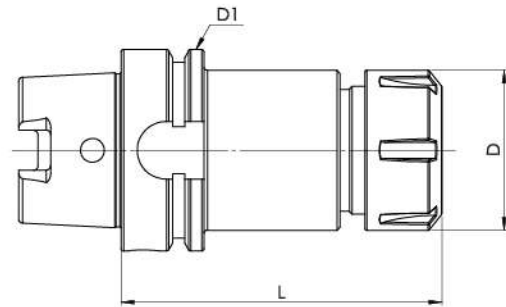
* Custom-built products are available on request.

HSK ER COLLET CHUCK

HSK刀把 ER立銑式 HSK Shank DIN 69893-1A with Collet Chuck DIN 6499

■ Application / 產品適用

- The product can be applied for end mills, drill bits, drill reamers, taps, and can clamp any straight cutters and tools.
- The product matches HSK BBT system (Big+Plus). It can increase the stability on the side direction processing.
- 本產品可應用於銑刀，鑽頭，鉸刀，絲攻及可夾持任何直柄的刀具及工具。
- 搭配 HSK 兩面拘束，可增加側向加工的穩定性。



Code No. 型號	TYPE 規格	L	D	D1	Spanner No. 扳手編號
BA2HK1A023080A	HSK100A×ER16- 80	80	28	100	BA2ER16020001A
BA2HK1A024080A	HSK100A×ER20- 80	80	34	100	BA2ER20020001A
BA2HK1A105100A	HSK100A×ER25- 100	100	42	100	BA2ER25100001A
BA2HK1A106100A	HSK100A×ER32- 100	100	50	100	BA2ER32100001A
BA2HK1A107100A	HSK100A×ER40- 100	100	63	100	BA2ER40100001A
BA2HK1A108100A	HSK100A×ER50- 100	100	78	100	BA2ER50100001A

* Custom-built products are available on request.