

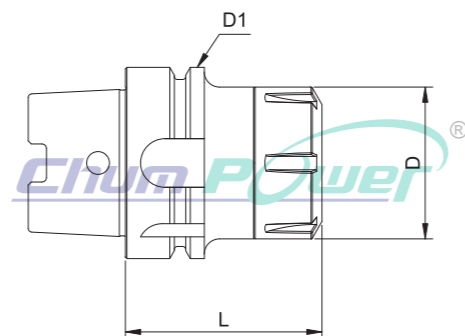
HSK ER COLLET CHUCKS

HSK刀把 ER立銑式

HSK Shank DIN 69893-1A with Collet Chuck DIN 6499

APPLICATION:

- The product can be applied for end mills, drill bits, drill reamers, taps, and can clamp any straight cutters and tools.
- The product matches HSK BBT system (Big+Plus). It can increase the stability on the side direction processing.
- 本產品可應用於銑刀, 鑽頭, 鉸刀, 絲攻及可夾持任何直式的刀具及工具
- 搭配HSK兩面拘束, 可增加側向加工的穩定性。



Code NO. 型號	TYPE 規格	L	D	D1	Spanner No. 扳手編號
HK02195	HSK100AxER16- 80	80	28	100	80072-02
HK02210	HSK100AxER20- 80	80	34	100	80072-03
HK02225	HSK100AxER25- 100	100	42	100	80072-04
HK02235	HSK100AxER32- 100	100	50	100	80072-05
HK02250	HSK100AxER40- 100	100	63	100	80072-06
HK02265	HSK100AxER50- 100	100	78	100	80072-07

*Custom-built products are available on request.



HSK MILLING CHUCKS

HSK強力式立銑刀把

HSK Shank DIN 69893-1A

FEATURES:

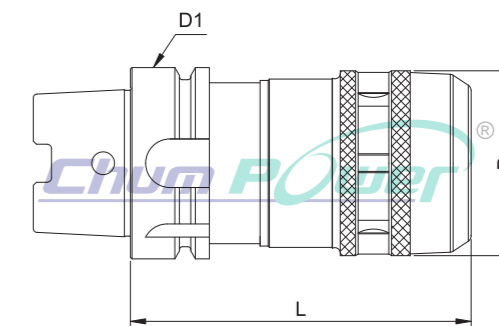
- It is designed with inner rolling needles inside. This design can reduce the friction resistance when tightening and the wear of parts.
- The design of dustproof can prevent iron scrap dropping and extend longevity of chuck.
- The high clamping force is available. The product can prevent the cutting tools from slipping when the users worked it and increase the longevity of cutting tools.
- High rigidity
- High precision

特性

- 內部滾針設計, 可減少鎖緊時之摩擦阻力及零件磨耗。
- 防塵設計減少鐵屑掉入以延長使用壽命。
- 高夾持力, 防止刀具於加工時滑脫, 增加刀具壽命
- 高剛性
- 高精密

APPLICATION:

- The Milling chuck can be applied for heavy-duty & higher accuracy cutting.
- The product matches HSK BBT system (Big+Plus). It can increase the stability on the side direction processing.
- 此強力銑刀把適用重型及高精密切削
- 搭配HSK兩面拘束, 可增加側向加工的穩定性。



Code NO. 型號	TYPE 規格	L	D	D1	Spanner No. 扳手編號
HK03010	HSK50AxC20- 120	120	52	50	80200-05
HK03015	HSK63AxC20- 90	90	52	63	80200-05
HK03030	HSK63AxC32- 120	120	69	63	80200-15
HK03040	HSK63AxC42- 120	120	86	63	80200-20

*Custom-built products are available on request.

