

SK CHU CNC DRILL CHUCK

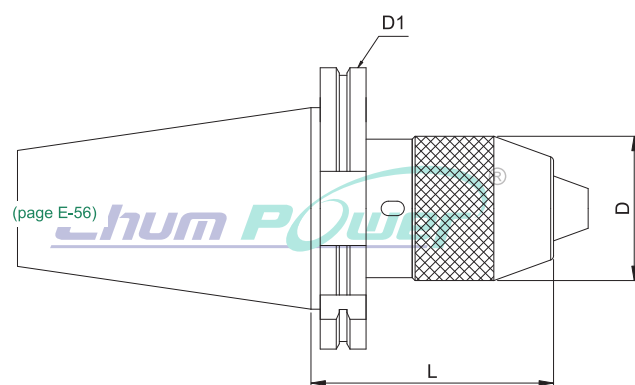
SK 直結式鑽夾頭

SK Shank DIN 69871-A

FEATURES:

- 3 times better clamping capacity, comparing to keyed drill chucks.
- The drill bit won't be loosen or falling off.
- Twice precision than the keyed drill chucks.
- The drill chuck is interchangeable.

- 比普通夾頭多3倍的夾持力
- 鑽頭不會鬆脫或掉落
- 比普通夾頭多出2倍精準
- 可替換式的夾頭



Code NO. 型號	TYPE 規格	L	D	D1	Spanner No. 扳手編號
SK01510	SK30xCHU8-80	80	37	50	12802
SK01520	SK30xCHU13-100	100	50		12806
SK01530	SK30xCHU16-125	125	57		12808
SK01540	SK40xCHU8-75	75	37	63.55	12802
SK01550	SK40xCHU13-100	100	50		12806
SK01560	SK40xCHU16-115	115	57		12808
SK01570	SK50xCHU13-100	100	50	97.5	12806
SK01580	SK50xCHU16-105	105	57		12808

*Custom-built products are available on request.

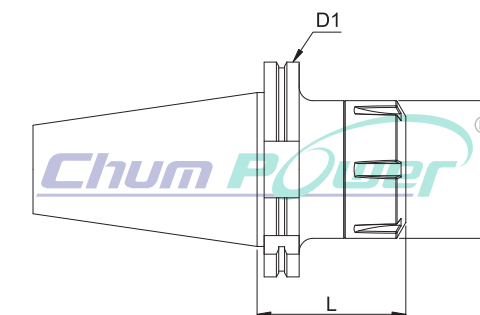
SK ER COLLET CHUCK DIN 6499

SK 刀把 ER立銑式

SK Shank DIN 69871-A with Collet Chuck DIN 6499

APPLICATION:

- The product can be applied for end mills, drill bits reamers, taps, and can clamp any straight cutters and tools.
- 本產品可應用於銑刀、鑽頭、絞刀、絲攻及可夾持任何直柄的刀具及工具



Code NO. 型號	TYPE 規格	L	D	D1	Spanner No. 扳手編號
SK02005	SK30xER11- 80	80	19	50	80072-01
SK02010	SK30xER16- 60	60	28		80072-02
SK02020	SK30xER20- 60	60	34		80072-03
SK02030	SK30xER25- 60	60	42		80072-04
SK02035	SK30xER32- 60	60	50		80072-05
SK02040	SK40xER11- 80	80	19	63.55	80072-01
SK02050	SK40xER16- 70	70	28		80072-02
SK02075	SK40xER20- 70	70	34		80072-03
SK02095	SK40xER25- 70	70	42		80072-04
SK02120	SK40xER32- 60	60	50		80072-05
SK02140	SK40xER40- 80	80	63		80072-06
SK02155	SK40xER50- 100	100	78	80072-07	
SK02160	SK50xER16- 100	100	28	97.5	80072-02
SK02180	SK50xER20- 100	100	34		80072-03
SK02195	SK50xER25- 70	70	42		80072-04
SK02215	SK50xER32- 70	70	50		80072-05
SK02235	SK50xER40- 70	70	63		80072-06
SK02255	SK50xER50- 80	80	78		80072-07

*Custom-built products are available on request.

