

SK MILLING CHUCK

SK 強力式立銑刀把

SK Shank DIN 69871-A

FEATURES:

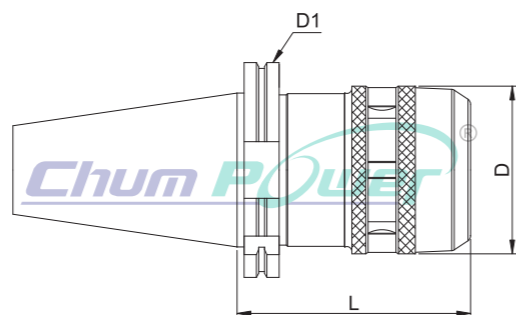
- It is designed with inner rolling needles inside. This design can reduce the friction resistance when tightening and the wear of parts.
- The design of dustproof can prevent iron scrap dropping and extend longevity of chuck.
- The high clamping force is available. The product can prevent the cutting tools from slipping when the users worked it and increase the longevity of cutting tools.
- High rigidity
- High precision

特性

- 內部滾針設計，可減少鎖緊時之摩擦阻力及零件磨耗。
- 防塵設計減少鐵屑掉入以延長使用壽命。
- 高夾持力，防止刀具於加工時滑脫，增加刀具壽命
- 高剛性
- 高精密

APPLICATION:

- The Milling chuck can be applied for heavy-duty & higher accuracy cutting.
- 此強力銑刀把適用重型及高精密切削



Code NO. 型號	TYPE 規格	L	D	D1	Spanner No. 扳手編號
SK03005	SK30xC20- 85	85	52	50	80200-05
SK03015	SK40xC20- 85	85	52	63.55	80200-05
SK03030	SK40xC32- 105	105	69		80200-15
SK03040	SK50xC20- 105	105	52	97.5	80200-05
SK03050	SK50xC32- 110	110	69		80200-15
SK03060	SK50xC42- 110	110	86		80200-20

*Custom-built products are available on request.



SK SIDE LOCK END MILL HOLDER

SK 側固式立銑刀把

SK Shank DIN 69871-A with Side Lock End Mill DIN 1835B

APPLICATION:

- It can be applied for heavy cutting and milling process generally. 適用於重切削及一般銑削加工
- The cutting tools can be clamped precisely. Even it's worked in heavy cutting, it will not result in slipping on cutting tools. 刀具夾持確實，即使重切削亦不致造成刀具滑動

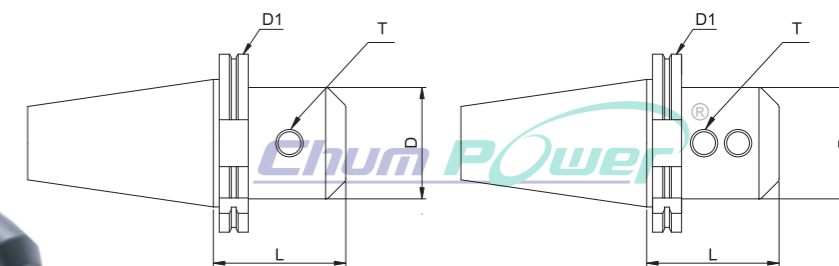


FIG.1

FIG.2

Code NO. 型號	TYPE 規格	L	D	D1	T	FIG. 圖
SK04005	SK30xSLN6- 50	50	25	50	M6	1
SK04010	SK30xSLN8- 50	50	28	50	M8	1
SK04015	SK30xSLN10- 50	50	35	50	M10	1
SK04020	SK30xSLN12- 50	50	42	50	M12	1
SK04025	SK30xSLN16- 63	63	48	50	M14	1
SK04030	SK40xSLN6- 50	50	25	63.55	M6	1
SK04035	SK40xSLN8- 50	50	28	63.55	M8	1
SK04040	SK40xSLN10- 50	50	35	63.55	M10	1
SK04045	SK40xSLN12- 50	50	42	63.55	M12	1
SK04050	SK40xSLN16- 63	63	48	63.55	M14	1
SK04055	SK40xSLN20- 63	63	52	63.55	M16	1
SK04060	SK40xSLN25- 100	100	65	63.55	M18	2
SK04065	SK40xSLN32- 100	100	72	63.55	M20	2
SK04070	SK50xSLN6- 63	63	25	97.5	M6	1
SK04075	SK50xSLN8- 63	63	28	97.5	M8	1
SK04080	SK50xSLN10- 63	63	35	97.5	M10	1
SK04085	SK50xSLN12- 63	63	42	97.5	M12	1
SK04090	SK50xSLN16- 63	63	48	97.5	M14	1
SK04095	SK50xSLN20- 63	63	52	97.5	M16	1
SK04100	SK50xSLN25- 80	80	65	97.5	M18	2
SK04105	SK50xSLN32- 100	100	72	97.5	M20	2
SK04110	SK50xSLN40- 100	100	90	97.5	M20	2
SK04115	SK50xSLN42- 100	100	90	97.5	M20	2
SK04120	SK50xSLN50- 125	125	100	97.5	M24	2
SK04125	SK50xSLN63- 150	150	125	97.5	M24	2

*Custom-built products are available on request.