

CAT CHU CNC DRILL CHUCK

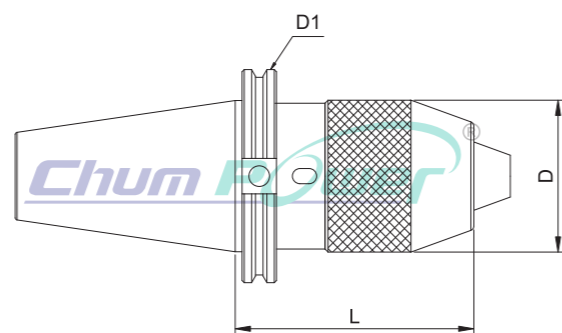
CAT 直結式鑽夾頭

CAT Shank ANSI B5.50

FEATURES:

- 3 times better clamping capacity, comparing to keyed drill chucks.
- The drill bit won't be loosen or falling off.
- Twice precision than the keyed drill chucks.
- The drill chuck is interchangeable.

- 比普通夾頭多3倍的夾持力
- 鑽頭不會鬆脫或掉落
- 比普通夾頭多出2倍精準
- 可替換式的夾頭



Code NO. 型號	TYPE 規格	L	D	D1	Spanner No. 扳手編號
CT01510	CAT30xCHU 8-3.347	3.347	1.456	1.812	12802
CT01520	CAT40xCHU 8-3.228	3.228	1.456	2.5	12802
CT01532	CAT40xCHU13-4.527	4.527	1.968	2.5	12806
CT01540	CAT40xCHU16-4.724	4.724	2.244	2.5	12808
CT01550	CAT50xCHU13-3.54	3.54	1.968	3.875	12806
CT01560	CAT50xCHU16-3.7	3.7	2.244	3.875	12808

*Custom-built products are available on request.

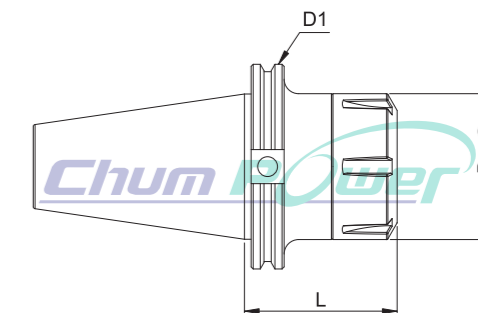
CAT ER COLLET CHUCK

CAT刀把 ER立銑式

CAT Shank ANSI B5.50 with Collet Chuck DIN 6499

APPLICATION:

- The product can be applied for end mills, drill bits reamers, taps, and can clamp any straight cutters and tools.
- 本產品可應用於銑刀, 鑽頭, 鉸刀, 絲攻及可夾持任何直柄的刀具及工具



Code NO. 型號	TYPE 規格	L	D	D1	Spanner No. 扳手編號
CT02005	CAT40xER16- 2.76	2.76	1.102	2.5	80072-02
CT02025	CAT40xER20- 2.76	2.76	1.339	2.5	80072-03
CT02040	CAT40xER25- 2.76	2.76	1.645	2.5	80072-04
CT02060	CAT40xER32- 2.76	2.76	1.969	2.5	80072-05
CT02080	CAT40xER40- 3.15	3.15	2.48	2.5	80072-06
CT02095	CAT40xER50- 4	4	3.07	2.5	80072-07
CT02100	CAT50xER16- 4	4	1.102	3.875	80072-02
CT02125	CAT50xER20- 4	4	1.339	3.875	80072-03
CT02140	CAT50xER25- 4	4	1.645	3.875	80072-04
CT02155	CAT50xER32- 4	4	1.969	3.875	80072-05
CT02170	CAT50xER40- 4	4	2.48	3.875	80072-06
CT02185	CAT50xER50- 4	4	3.07	3.875	80072-07

*Custom-built products are available on request.

