

CAT MILLING CHUCK

CAT 強力式立銑刀把

CAT Shank ANSI B5.50

FEATURES:

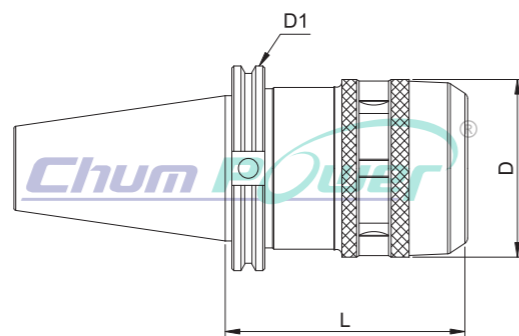
- It is designed with inner rolling needles inside. This design can reduce the friction resistance when tightening and the wear of parts.
- The design of dustproof can prevent iron scrap dropping and extend longevity of chuck.
- The high clamping force is available. The product can prevent the cutting tools from slipping when the users worked it and increase the longevity of cutting tools.
- High rigidity
- High precision

特性

- 內部滾針設計，可減少鎖緊時之摩擦阻力及零件磨耗。
- 防塵設計減少鐵屑掉入以延長使用壽命。
- 高夾持力，防止刀具於加工時滑脫，增加刀具壽命
- 高剛性
- 高精密

APPLICATION:

- The Milling chuck can be applied for heavy-duty & higher accuracy cutting.
- 此強力銑刀把適用重型及高精密切削



INCH SIZE 英制

Code NO. 型號	TYPE 規格	L	D	D1	Spanner No. 扳手編號
CT03010	CAT40xC3/4- 3.385	3.385	2.047	2.5	80200-05
CT03020	CAT40xC1-1/4- 4.53	4.53	2.716	2.5	80200-15
CT03025	CAT50xC3/4- 4.13	4.13	2.047	3.875	80200-05
CT03030	CAT50xC1-1/4- 4.13	4.13	2.716	3.875	80200-15

*Custom-built products are available on request.



CAT SIDE LOCK END MILL HOLDER

CAT 側固式立銑刀把

CAT Shank ANSI B5.50 with Side Lock End Mill DIN 1835B

APPLICATION:

- It can be applied for heavy cutting and milling process generally. 適用於重切削及一般銑削加工
- The cutting tools can be clamped precisely. Even it's worked in heavy cutting, it will not result in slipping on cutting tools. 刀具夾持確實，即使重切削亦不致造成刀具滑動

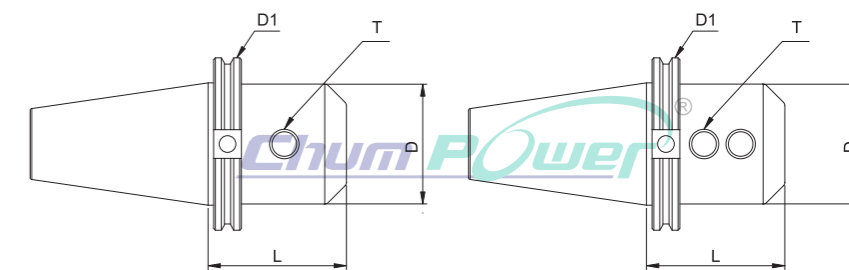


FIG.1

FIG.2

INCH SIZE 英制

Code NO. 型號	TYPE 規格	L	D	D1	T	FIG. 圖
CT04010	CAT40xSLN1/8- 2.375	2.375	0.69	2.5	6#-32	1
CT04015	CAT40xSLN3/16- 2.5	2.5	0.69	2.5	8#-32	1
CT04020	CAT40xSLN1/4- 3	3	0.78	2.5	1/4-28	1
CT04025	CAT40xSLN5/16- 3	3	0.88	2.5	5/16-24	1
CT04030	CAT40xSLN3/8- 3	3	1	2.5	3/8-24	1
CT04035	CAT40xSLN1/2- 3	3	1.25	2.5	7/16-20	1
CT04040	CAT40xSLN5/8- 3	3	1.5	2.5	1/2-20	2
CT04045	CAT40xSLN3/4- 3	3	1.75	2.5	5/8-18	2
CT04050	CAT40xSLN7/8- 3.5	3.5	1.88	2.5	5/8-18	2
CT04055	CAT40xSLN1- 4	4	2	2.5	3/4-16	2
CT04060	CAT40xSLN1-1/4- 4.6	4.6	2.5	2.5	3/4-16	2
CT04065	CAT40xSLN1-1/2- 4.5	4.5	2.5	2.5	3/4-16	2

CT04070	CAT50xSLN1/4- 4	4	0.78	3.875	1/4-28	1
CT04075	CAT50xSLN5/16- 4	4	0.88	3.875	5/16-24	1
CT04080	CAT50xSLN3/8- 4	4	1	3.875	3/8-24	1
CT04085	CAT50xSLN1/2- 4	4	1.25	3.875	7/16-20	1
CT04090	CAT50xSLN5/8- 4	4	1.5	3.875	1/2-20	1
CT04095	CAT50xSLN3/4- 4	4	1.75	3.875	5/8-18	1
CT04100	CAT50xSLN7/8- 4	4	1.88	3.875	5/8-18	2
CT04105	CAT50xSLN1- 4	4	2	3.875	3/4-16	2
CT04110	CAT50xSLN1-1/4- 4	4	2.5	3.875	3/4-16	2
CT04115	CAT50xSLN1-1/2- 4.6	4.6	2.5	3.875	3/4-16	2

*Custom-built products are available on request.