

BT CHU CNC DRILL CHUCK

BT 直結式鑽夾頭

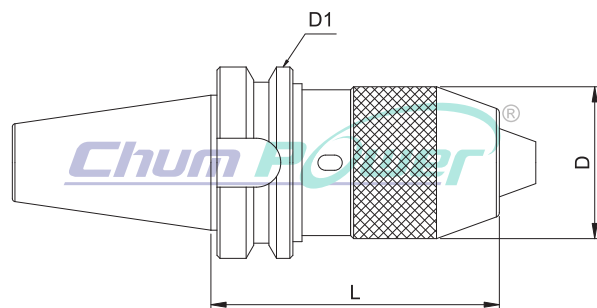
BT Shank JIS B 6339(MAS 403 BT)

APPLICATION:

- The product can be adapted for the general lathe or the drilling processing whose machines center can supply with BT spindle.
- 適用於傳統銑床或其他提供BT主軸介面之工作母機作鑽孔加工。

FEATURES:

- 3 times better clamping capacity, comparing to keyed drill chucks.
- The drill bit won't be loosen or falling off.
- Twice precision than the keyed drill chucks.
- The drill chuck is interchangeable.
- 比普通夾頭多3倍的夾持力
- 鑽頭不會鬆脫或掉落
- 比普通夾頭多出2倍精準
- 可替換式的夾頭



Code NO. 型號	TYPE 規格	L	D	D1	Spanner No. 扳手編號
BT01505	BT30xCHU8- 75	75	37	46	12802
BT01510	BT30xCHU13- 90	90	50		12806
BT01515	BT40xCHU8- 85	85	37	63	12802
BT01525	BT40xCHU13-95	95	50		12806
BT01545	BT40xCHU16-120	120	57		12808
BT01550	BT50xCHU13- 110	110	50	100	12806
BT01564	BT50xCHU16-110	110	57		12808

*Custom-built products are available on request.

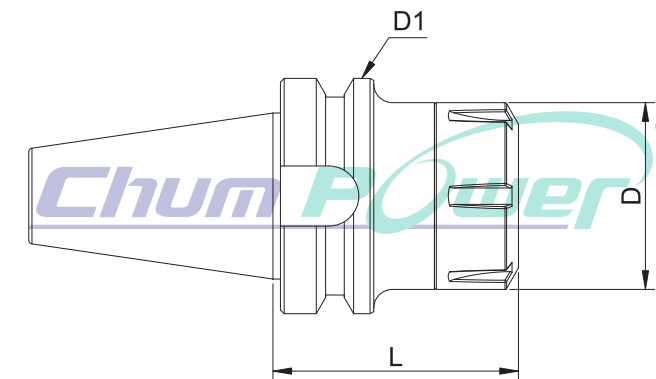
BT ER COLLET CHUCK

BT刀把 ER立銑式

BT Shank JIS B 6339(MAS 403 BT) with Collet Chuck DIN 6499

APPLICATION:

- The product can be applied for end mills, drill bits, drill reamers, taps, and can clamp any straight cutters and tools.
- 本產品可應用於銑刀, 鑽頭, 鉸刀, 絲攻及可夾持任何直柄的刀具及工具



Code NO. 型號	TYPE 規格	L	D	D1	Spanner No. 扳手編號
BT02005	BT30xER11- 60	60	19	46	80072-01
BT02015	BT30xER16- 60	60	28		80072-02
BT02025	BT30xER16- 100	100			80072-03
BT02040	BT30xER20- 60	60	34		80072-04
BT02050	BT30xER20- 100	100			80072-05
BT02060	BT30xER25- 60	60	42	46	80072-04
BT02065	BT30xER25- 100	100			80072-05
BT02080	BT30xER32- 70	70	50	46	80072-05
BT02085	BT30xER32- 100	100			80072-05

BT02095	BT40xER11- 70	70	19	63	80072-01	
BT02100	BT40xER11- 100	100			80072-02	
BT02106	BT40xER16- 70	70	28		80072-03	
BT02110	BT40xER16- 100	100			80072-04	
BT02131	BT40xER20- 70	70	34		80072-04	
BT02140	BT40xER20- 100	100				80072-05
BT02155	BT40xER25- 70	70	42		63	80072-06
BT02165	BT40xER25- 100	100		80072-07		
BT02185	BT40xER32- 70	70	50	63	80072-05	
BT02190	BT40xER32- 100	100			80072-06	
BT02200	BT40xER40- 70	70	63		80072-06	
BT02205	BT40xER40- 100	100				80072-07
BT02220	BT40xER50- 90	90	78		63	80072-06
BT02225	BT40xER50- 100	100				80072-07

*Custom-built products are available on request.

