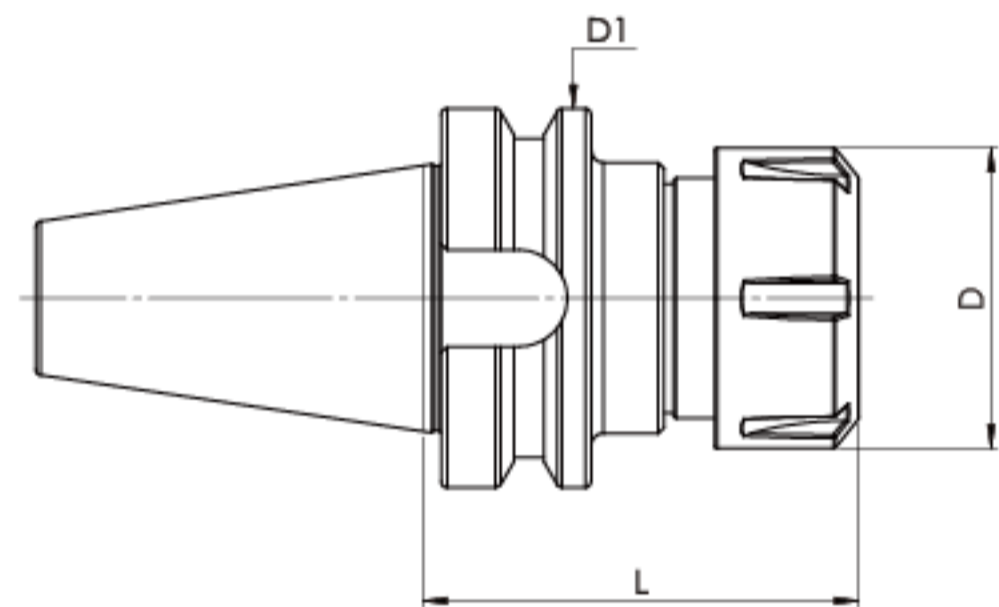


## BT ER COLLET CHUCK

BT刀把ER立銑式 BT Shank JIS B 6339 (MAS 403 BT) with Collet Chuck DIN 6499

### ■ Application / 產品適用

- The product can be applied for end mills, drill bits, drill reamers, taps, and can clamp any straight cutters and tools.
- 本產品可應用於銑刀，鑽頭，鉸刀，絲攻及可夾持任何直柄的刀具及工具。



Code No. 型號	TYPE 規格	L	D	D1	Spanner No. 扳手編號
BA2BT30022060B	BT30×ER11- 60	60	19	46	BA2ER11020001A
BA2BT30023060B	BT30×ER16- 60	60	28		BA2ER16020001A
BA2BT30023100B	BT30×ER16- 100	100			
BA2BT30024060B	BT30×ER20- 60	60	34		BA2ER20020001A
BA2BT30024100B	BT30×ER20- 100	100			
BA2BT30105060B	BT30×ER25- 60	60	42		BA2ER25100001A
BA2BT30105100B	BT30×ER25- 100	100			
BA2BT30106070B	BT30×ER32- 70	70	50		BA2ER32100001A
BA2BT30106100B	BT30×ER32- 100	100			
BA2BT40022070B	BT40×ER11- 70	70	19		63
BA2BT40022100B	BT40×ER11- 100	100	28	BA2ER16020001A	
BA2BT40023070B	BT40×ER16- 70	70	34	BA2ER20020001A	
BA2BT40023100B	BT40×ER16- 100	100			
BA2BT40024070B	BT40×ER20- 70	70	42	BA2ER25100001A	
BA2BT40024100B	BT40×ER20- 100	100	50	BA2ER32100001A	
BA2BT40105070B	BT40×ER25- 70	70	63	BA2ER40100001A	
BA2BT40105100B	BT40×ER25-100	100	78	BA2ER50100001A	
BA2BT40106070B	BT40×ER32- 70	70			
BA2BT40106100B	BT40×ER32- 100	100			
BA2BT40107070B	BT40×ER40- 70	70			
BA2BT40107100B	BT40×ER40- 100	100			
BA2BT40108090B	BT40×ER50- 90	90			
BA2BT40108100B	BT40×ER50- 100	100			

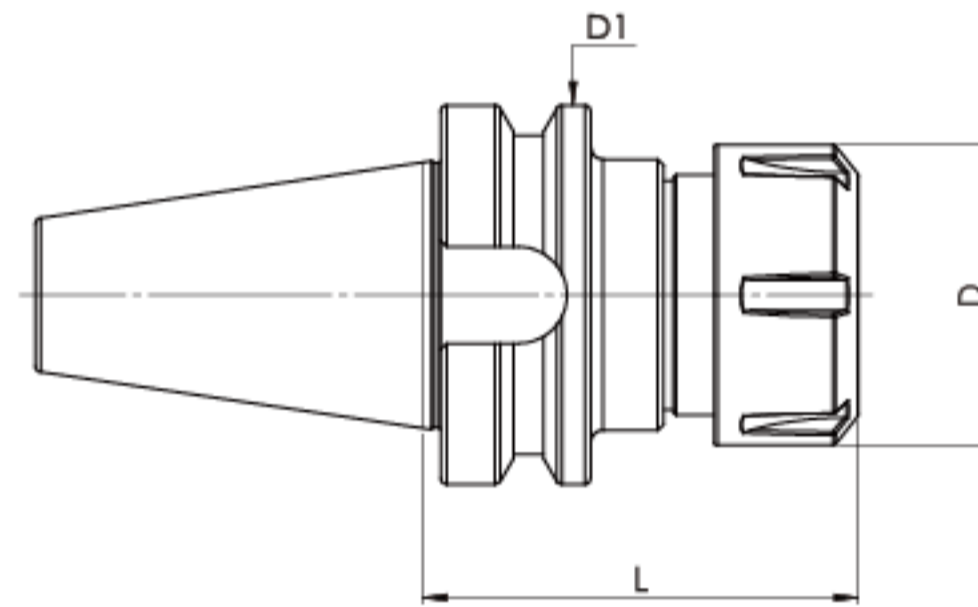
\* Custom-built products are available on request.

## BT ER COLLET CHUCK

BT 刀把 ER立銑式 BT Shank JIS B 6339 (MAS 403 BT) with Collet Chuck DIN 6499

### ■ Application / 產品適用

- The product can be applied for end mills, drill bits, drill reamers, taps, and can clamp any straight cutters and tools.
- 本產品可應用於銑刀，鑽頭，鉸刀，絲攻及可夾持任何直柄的刀具及工具。



Code No. 型號	TYPE 規格	L	D	D1	Spanner No. 扳手編號
BA2BT50023070B	BT50×ER16- 70	70	28	100	BA2ER16020001A BA2ER20020001A
BA2BT50023100B	BT50×ER16- 100	100			
BA2BT50024070B	BT50×ER20- 70	70	34		BA2ER20020001A
BA2BT50024105B	BT50×ER20- 105	105			
BA2BT50105070B	BT50×ER25- 70	70	42		BA2ER20020001A
BA2BT50105105B	BT50×ER25- 105	105			
BA2BT50106080B	BT50×ER32- 80	80	50		BA2ER32100001A
BA2BT50106100B	BT50×ER32- 100	100			
BA2BT50107080B	BT50×ER40- 80	80	63		BA2ER40100001A
BA2BT50108100B	BT50×ER50- 100	100			
BA2BT50108120B	BT50×ER50- 120	120	78		BA2ER50100001A

\* Custom-built products are available on request.