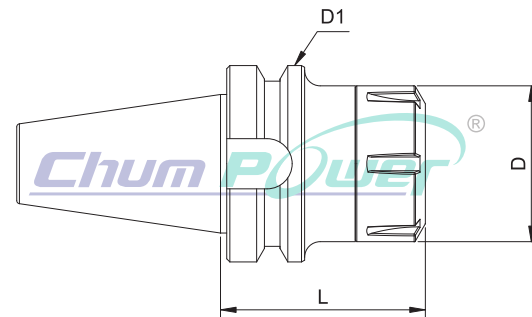


BT ER COLLET CHUCKS

BT刀把 ER立銑式 BT Shank JIS B 6339(MAS 403 BT) with Collet Chunk DIN 6499

APPLICATION:

- The product can be applied for end mills, drill bits, drill reamers, taps, and can clamp any straight cutters and tools.
- 本產品可應用於銑刀、鑽頭、鉸刀、絲攻及可夾持任何直柄的刀具及工具



Code NO. 型號	TYPE 規格	L	D	D1	Spanner No. 扳手編號
BT02230	BT50xER16- 70	70	28	100	80072-02
BT02240	BT50xER16- 100	100	28		80072-02
BT02265	BT50xER20- 70	70	34		80072-03
BT02280	BT50xER20- 105	105	34		80072-03
BT02310	BT50xER25- 70	70	42		80072-04
BT02320	BT50xER25- 105	105	42		80072-04
BT02350	BT50xER32- 80	80	50		80072-05
BT02355	BT50xER32- 100	100	50	80072-05	
BT02380	BT50xER40- 80	80	63	80072-06	
BT02410	BT50xER50- 100	100	78	80072-07	
BT02415	BT50xER50- 120	120	78	80072-07	

*Custom-built products are available on request.



BT MILLING CHUCKS

BT 強力式立銑刀把 BT Shank JIS B 6339(MAS 403 BT)

FEATURES:

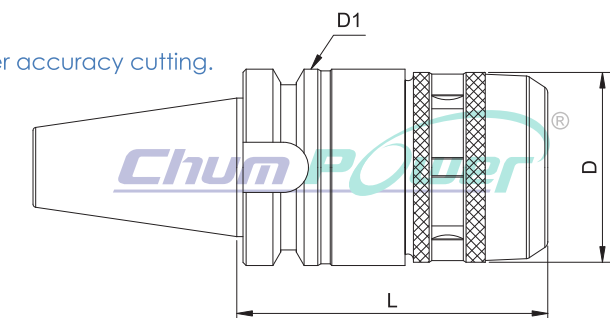
- It is designed with inner rolling needles inside. This design can reduce the friction resistance when tightening and the wear of parts.
- The design of dustproof can prevent iron scrap dropping and extend longevity of chuck.
- The high clamping force is available. The product can prevent the cutting tools from slipping when the users worked it and increase the longevity of cutting tools.
- High rigidity
- High precision

特性

- 內部滾針設計，可減少鎖緊時之摩擦阻力及零件磨耗。
- 防塵設計減少鐵屑掉入以延長使用壽命。
- 高夾持力，防止刀具於加工時滑脫，增加刀具壽命
- 高剛性
- 高精密

APPLICATION:

- The Milling chuck can be applied for heavy-duty & higher accuracy cutting.
- 此強力銑刀把適用重型及高精密切削



Code NO. 型號	TYPE 規格	L	D	D1	Spanner No. 扳手編號
BT03005	BT30xC20- 80	80	52	46	80200-05
BT03015	BT30xC25- 85	85	60		80200-10
BT03020	BT40xC20- 85	85	52	63	80200-05
BT03025	BT40xC20- 100	100			80200-10
BT03030	BT40xC20- 135	135			80200-15
BT03035	BT40xC25- 90	90	60	100	80200-10
BT03040	BT40xC25- 135	135			80200-15
BT03055	BT40xC32- 105	105			80200-20
BT03065	BT40xC32- 135	135	69	80200-15	
BT03070	BT50xC20- 105	105	52	100	80200-05
BT03075	BT50xC20- 150	150			80200-10
BT03080	BT50xC25- 100	100			80200-15
BT03085	BT50xC25- 150	150	60	100	80200-10
BT03095	BT50xC32- 110	110			80200-15
BT03100	BT50xC32- 135	135			80200-20
BT03125	BT50xC42- 110	110	86	100	80200-10
BT03130	BT50xC42- 135	135			80200-15

*Custom-built products are available on request.

