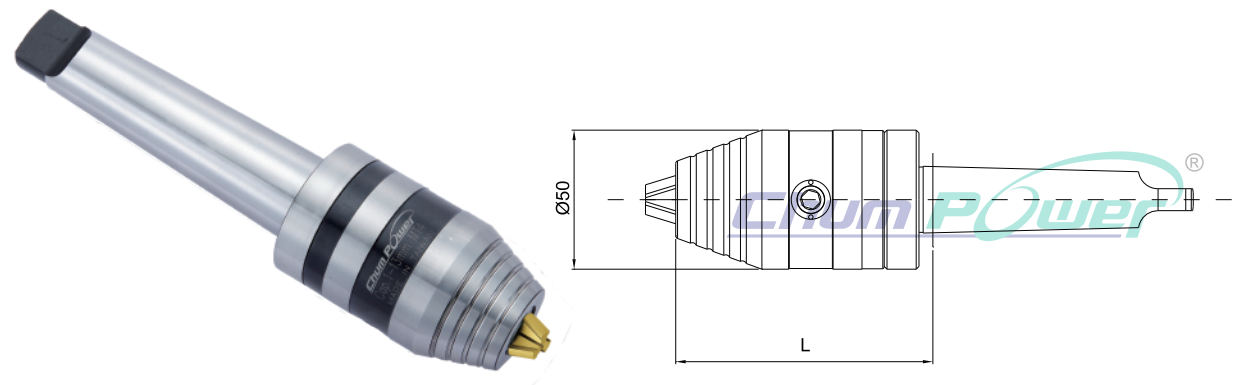


## HEX KEY DRILL CHUCKS Arbor Type

### MT (Morse Taper)

#### APPLICATION:

Arbor structure makes its performance perfect for drilling press and machine center.  
 Fine components ensure the tolerance and accuracy well.  
 The benefit of titanium jaws is to increase the intensity and wear-resistance.



Code NO. 型號	Type 規格	夾持量 mm	Capacity inch	L
MT22505	MT3xGHK13-88	0.3-13	1/64-1/2	88
MT22508	MT3xGHK16-93	1.5-16	1/16-5/8	93
MT22510	MT4xGHK13-89	0.3-13	1/64-1/2	89
MT22513	MT4xGHK16-94	1.5-16	1/16-5/8	94

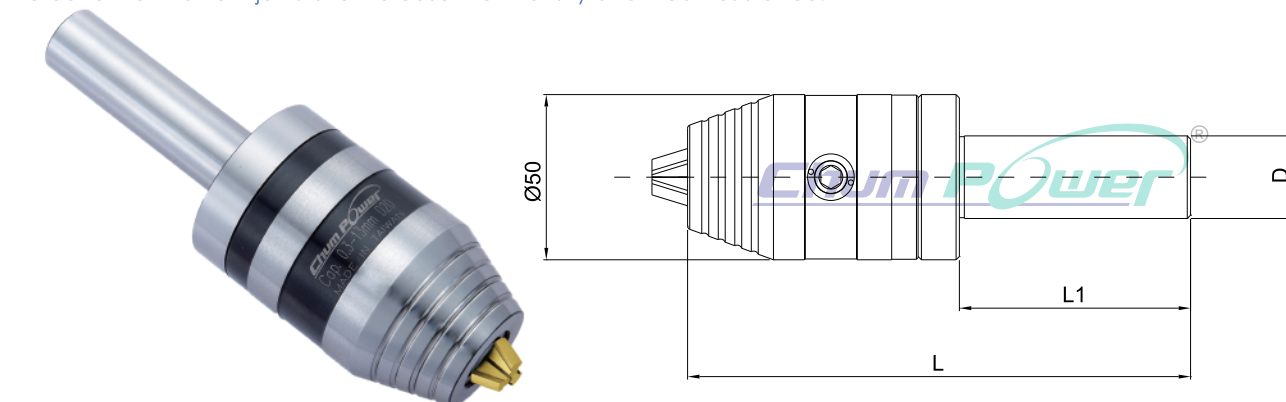
\*Custom-built products are available on request.

## HEX KEY DRILL CHUCKS Arbor Type

### D (Straight Shank)

#### APPLICATION:

Arbor structure makes its performance perfect for drilling press and machine center.  
 Fine components ensure the tolerance and accuracy well.  
 The benefit of titanium jaws is to increase the intensity and wear-resistance.

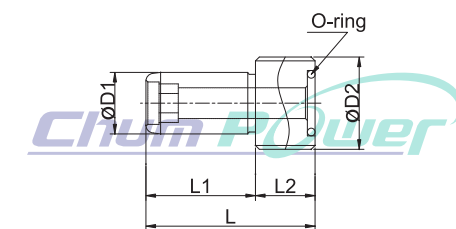


Code NO. 型號	Type 規格	夾持量 mm	Capacity inch	L	L1	ØD
DD22515	D20xGHK13-152	0.3-13	1/64-1/2	152	70	20
DD22518	D20xGHK16-157	1.5-16	1/16-5/8	157	70	20
DD22525	D25xGHK13-152	0.3-13	1/64-1/2	152	70	25
DD22528	D25xGHK16-157	1.5-16	1/16-5/8	157	70	25
DD22535	D32xGHK13-152	0.3-13	1/64-1/2	152	70	32
DD22538	D32xGHK16-157	1.5-16	1/16-5/8	157	70	32

\*Custom-built products are available on request.

## Coolant Pipe

### 冷卻導管

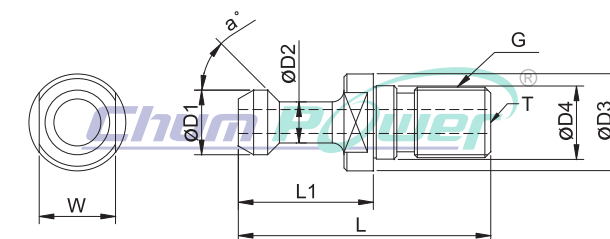


Code NO. 型號	HSK NO.	ØD1	ØD2	L	L1	L2	O-ring
84652	HSK32	6	M10x1.0	26	20.5	5.5	P4
84654	HSK40	8	M12x1.0	29.5	22	7.5	P6
84656	HSK50	10	M16x1.0	33	23.5	9.5	P9
84658	HSK63	12	M18x1.0	36.5	25	11.5	P11
84660	HSK80	14	M20x1.5	40	25.5	13.5	P12
84662	HSK100	16	M24x1.5	44	28.5	15.5	P15

## BT/Coolant Thru-Hole Models

### Pull Stud 拉栓

### BT 水孔型



Code NO. 型號	TYPE BT-α 規格	T	W	L	L1	ØD1	ØD2	ØD3	ØD4	G
81210	BT40-45°	Ø4	19	60	35	15	10	23	17	M16
81211	BT40-60°	Ø4								
81212	BT40-90°	Ø4								
81268	BT50-45°	Ø7	30	85	45	23	17	38	25	M24
81269	BT50-60°	Ø7								
81270	BT50-90°	Ø7								