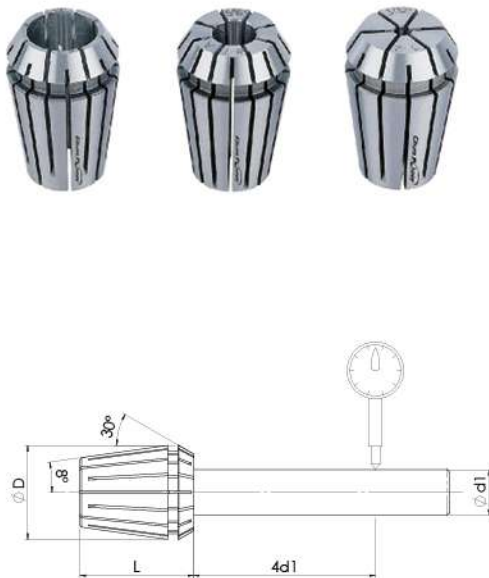


ER SPRING COLLET SYSTEM

彈性筒夾 DIN 6499

■ Application / 產品適用

- It is applied for a variety of processing including drilling, milling, tapping and grinding.
- 它適用於各種的加工，包含鑽孔，銑床，攻牙和研磨。



Type	ϕD	L
ER08	8.5	13.5
ER11	11.5	18
ER16	17	27
ER20	21	31
ER25	26	35
ER32	33	40
ER40	41	46
ER50	52	60

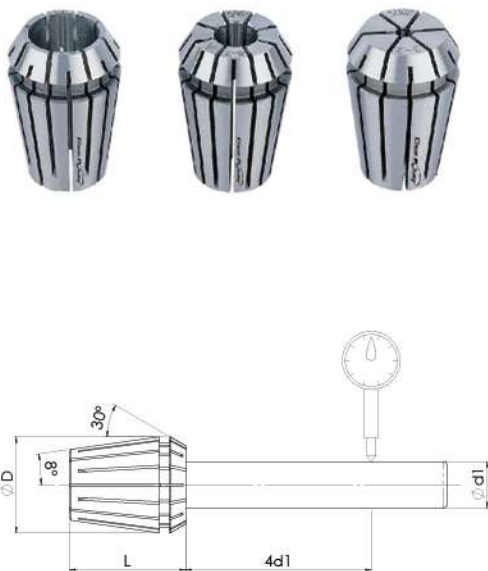
Code No. 型號	Type 規格	Code No. 型號	Type 規格
BE8000101A	ER8 (1.0-0.5)	BE8000701A	ER20(1.0-0.5)
BE8000102A	ER8 (1.5-1.0)	BE8000702A	ER20(0.5-1.0)
BE8000103A	ER8 (2.0-1.5)	BE8000703A	ER20(2.0-1.5)
BE8000104A	ER8 (2.5-2.0)	BE8000704A	ER20(2.5-2.0)
BE8000105A	ER8 (3.0-2.5)	BE8000705A	ER20(3.0-2.5)
BE8000106A	ER8 (3.5-3.0)	BE8000706A	ER20(3.5-3.0)
BE8000107A	ER8 (4.0-3.5)	BE8000707A	ER20(4.0-3.5)
BE8000108A	ER8 (4.5-4.0)	BE8000708A	ER20(4.5-4.0)
BE8000109A	ER8 (5.0-4.5)	BE8000709A	ER20(5.0-4.5)
BE8000301A	ER11 (1.0-0.5)	BE8000710A	ER20(5.5-5.0)
BE8000302A	ER11 (1.5-1.0)	BE8000711A	ER20(6.0-5.5)
BE8000303A	ER11 (2.0-1.5)	BE8000712A	ER20(6.5-6.0)
BE8000304A	ER11 (2.5-2.0)	BE8000713A	ER20(7.0-6.5)
BE8000305A	ER11 (3.0-2.5)	BE8000714A	ER20(7.5-7.0)
BE8000306A	ER11 (3.5-3.0)	BE8000715A	ER20(8.0-7.5)
BE8000307A	ER11 (4.0-3.5)	BE8000716A	ER20(8.5-8.0)
BE8000308A	ER11 (4.5-4.0)	BE8000717A	ER20(9.0-8.5)
BE8000309A	ER11 (5.0-4.5)	BE8000718A	ER20(9.5-9.0)
BE8000310A	ER11 (5.5-5.0)	BE8000719A	ER20(10-9.5)
BE8000311A	ER11 (6.0-5.5)	BE8000720A	ER20(10.5-10)
BE8000312A	ER11 (6.5-6.0)	BE8000721A	ER20(11-10.5)
BE8000313A	ER11 (7.0-6.5)	BE8000722A	ER20(11.5-11)
BE8000501A	ER16 (1.0-0.5)	BE8000723A	ER20(12-11.5)
BE8000502A	ER16 (1.5-1.0)	BE8000724A	ER20(12.5-12)
BE8000503A	ER16 (2.0-1.5)	BE8000725A	ER20(13-12.5)
BE8000504A	ER16 (2.5-2.0)	BE8000903A	ER25(2.0-1.0)
BE8000505A	ER16 (3.0-2.5)	BE8000904A	ER25(3.0-2.0)
BE8000506A	ER16 (3.5-3.0)	BE8000905A	ER25(4.0-3.0)
BE8000507A	ER16 (4.0-3.5)	BE8000906A	ER25(5.0-4.0)
BE8000508A	ER16 (4.5-4.0)	BE8000907A	ER25(6.0-5.0)
BE8000509A	ER16 (5.0-4.5)	BE8000908A	ER25(7.0-6.0)
BE8000510A	ER16 (5.5-5.0)	BE8000909A	ER25(8.0-7.0)
BE8000511A	ER16 (6.0-5.5)	BE8000910A	ER25(9.0-8.0)
BE8000512A	ER16 (6.5-6.0)	BE8000911A	ER25(10-9.0)
BE8000513A	ER16 (7.0-6.5)	BE8000912A	ER25(11-10)
BE8000514A	ER16 (7.5-7.0)	BE8000913A	ER25(12-11)
BE8000515A	ER16 (8.0-7.5)	BE8000914A	ER25(13-12)
BE8000516A	ER16 (8.5-8.0)	BE8000915A	ER25(14-13)
BE8000517A	ER16 (9.0-8.5)	BE8000916A	ER25(15-14)
BE8000518A	ER16 (9.5-9.0)	BE8000917A	ER25(16-15)
BE8000519A	ER16 (10.0-9.5)		

ER SPRING COLLET SYSTEM

彈性筒夾 DIN 6499

■ Application / 產品適用

- It is applied for a variety of processing including drilling, milling, tapping, mill.
- 它適用於各種的加工，包含鑽孔，銑床，攻牙和銑刀。



Type	ϕD	L
ER08	8.5	13.5
ER11	11.5	18
ER16	17	27
ER20	21	31
ER25	26	35
ER32	33	40
ER40	41	46
ER50	52	60

Code No. 型號	Type 規格
BE8001101A	ER32 (2.0-1.0)
BE8001102A	ER32 (3.0-2.0)
BE8001103A	ER32 (4.0-3.0)
BE8001104A	ER32 (5.0-4.0)
BE8001105A	ER32 (6.0-5.0)
BE8001106A	ER32 (7.0-6.0)
BE8001107A	ER32 (8.0-7.0)
BE8001108A	ER32 (9.0-8.0)
BE8001109A	ER32 (10-9.0)
BE8001110A	ER32 (11-10)
BE8001111A	ER32 (12-11)
BE8001112A	ER32 (13-12)
BE8001113A	ER32 (14-13)
BE8001114A	ER32 (15-14)
BE8001115A	ER32 (16-15)
BE8001116A	ER32 (17-16)
BE8001117A	ER32 (18-17)
BE8001118A	ER32 (19-18)
BE8001119A	ER32 (20-19)

Code No. 型號	Type 規格
BE8001301A	ER40 (3.0-2.0)
BE8001302A	ER40 (4.0-3.0)
BE8001303A	ER40 (5.0-4.0)
BE8001304A	ER40 (6.0-5.0)
BE8001305A	ER40 (7.0-6.0)
BE8001306A	ER40 (8.0-7.0)
BE8001307A	ER40 (9.0-8.0)
BE8001308A	ER40 (10-9.0)
BE8001309A	ER40 (11-10)
BE8001310A	ER40 (12-11)
BE8001311A	ER40 (13-12)
BE8001312A	ER40 (14-13)
BE8001313A	ER40 (15-14)
BE8001314A	ER40 (16-15)
BE8001315A	ER32 (16-15)
BE8001316A	ER40 (18-17)
BE8001317A	ER40 (19-18)
BE8001318A	ER40 (20-19)
BE8001319A	ER40 (21-20)
BE8001320A	ER40 (22-21)
BE8001321A	ER40 (23-22)
BE8001322A	ER40 (24-23)
BE8001323A	ER40 (25-24)
BE8001324A	ER40 (26-25)
BE8001507A	ER50 (12-10)
BE8001508A	ER50 (14-12)
BE8001509A	ER50 (16-14)
BE8001510A	ER50 (18-16)
BE8001511A	ER50 (20-18)
BE8001512A	ER50 (22-20)
BE8001513A	ER50 (24-22)
BE8001514A	ER50 (26-24)
BE8001515A	ER50 (28-26)
BE8001516A	ER50 (30-28)
BE8001517A	ER50 (32-30)
BE8001518A	ER50 (34-32)