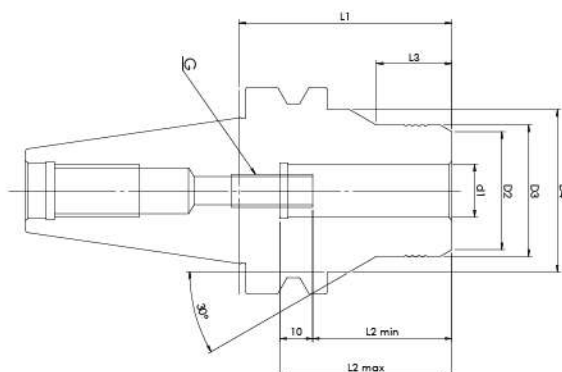


Hydraulic Tool-Holder 油壓刀桿

■ Application / 產品適用

- Reliable for clamping reiteration.
- High Rigidity.
- High Accuracy; No Collet used.
- High Clamping Force.
- Our hydraulic chuck can obtain the run-out within $3\mu\text{m}$ (T.I.R.) at the position 4d1 from the nose.
- 重複夾持可靠。
- 高剛性。
- 高精度，因不需使用筒夾。
- 高夾持力。
- 在使用 4d1 倍長時，精度為 $0.003\mu\text{m}$ 。



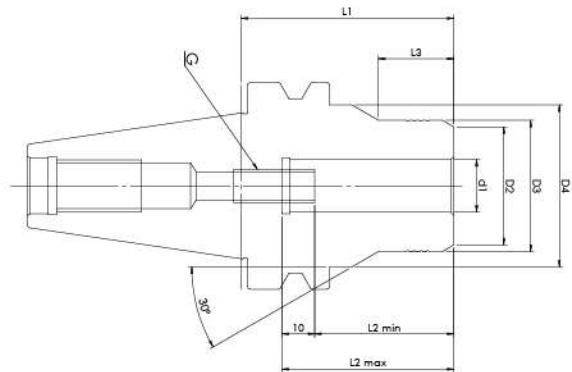
Code No. 型號	TYPE 規格	d1	D2	D3	D4	L1	L2		L3	G
							Min	Max		
BA2BT40080065A	BT40×CHY6-65	6	26	29	49.5	65	27.5	37.5	23	M5
BA2BT40081065A	BT40×CHY8-65	8	27	30		65	27.5	37.5	23	M6
BA2BT40082065A	BT40×CHY10-65	10	29	32		65	32.5	42.5	23	M8×1
BA2BT40083065A	BT40×CHY 12-65	12	31	34		65	37.5	47.5	23	M8×1 M10×1 M10×1 M10×1 M16×1
BA2BT40084065A	BT40×CHY14-65	14	33	36		65	37.5	47.5	23	
BA2BT40085065A	BT40×CHY 16-65	16	36	40		65	42.5	52.5	23	
BA2BT40086065A	BT40×CHY18-65	18	38	42		65	42.5	52.5	23	
BA2BT40087065A	BT40×CHY20-65	20	40	44		65	42.5	52.5	23	
BA2BT40088100A	BT40×CHY25-100	25	55	60	-	100	51	61	-	M16×1
BA2BT40089105A	BT40×CHY32-105	32	58	63	-	105	55	61	-	M16×1

* Custom-built products are available on request. (BT, HSK, SK, NT, CAT Type) * 特製品可依客戶需求訂製

Hydraulic Tool-Holder 油壓刀桿

■ Application / 產品適用

- Reliable for clamping reiteration.
- High Rigidity.
 - High Accuracy; No Collet used.
 - High Clamping Force.
- Our hydraulic chuck can obtain the run-out within 3 μ m (T.I.R.) at the position 2.5*d1 from the nose.
- 重複夾持可靠。
- 高剛性。
- 高精度，因不需使用筒夾。
- 高夾持力。
- 在使用 4d1 倍長時，精度為 0.003 μ m。



Code No. 型號	TYPE 規格	d1	D2	D3	D4	L1	L2		V	L3	G
							Min	Max			
BA2BT50080090A	BT50×CHY6- 90	6	26	29	49.5	90	37.5	27.5	10	30	M5
BA2BT50081090A	BT50×CHY8- 90	8	27	30		90	37.5	27.5	10	30	M6
BA2BT50082090A	BT50×CHY10- 90	10	29	32		90	42.5	32.5	10	30	M8×1
BA2BT50083090A	BT50×CHY12- 90	12	31	34		90	47.5	37.5	10	30	M8×1
BA2BT50084090A	BT50×CHY14- 90	14	33	36	63	90	47.5	37.5	10	30	M10×1
BA2BT50085090A	BT50×CHY16- 90	16	36	40		90	52.5	42.5	10	30	M10×1
BA2BT50086090A	BT50×CHY18- 90	18	38	42		90	52.5	42.5	10	30	M10×1
BA2BT50087090A	BT50×CHY20- 90	20	40	44		90	52.5	42.5	10	30	M10×1
BA2BT50088105A	BT50×CHY25-105	25	55	60	-	105	61	51	10	67	M16×1
BA2BT50089090A	BT50×CHY32- 90	32	58	63	-	90	65	55	10	52	M16×1

* Custom-built products are available on request. (BT, HSK, SK, NT, CAT Type) * 特製品可依客戶需求訂製