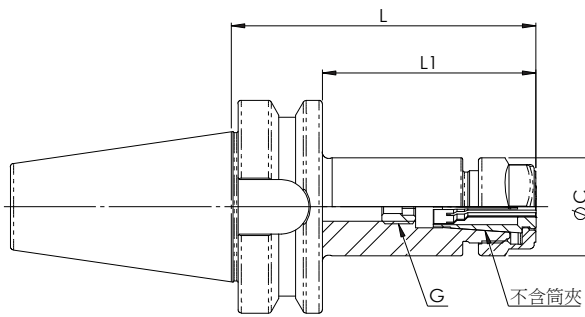


BT CHUCK For High-Speed Machining

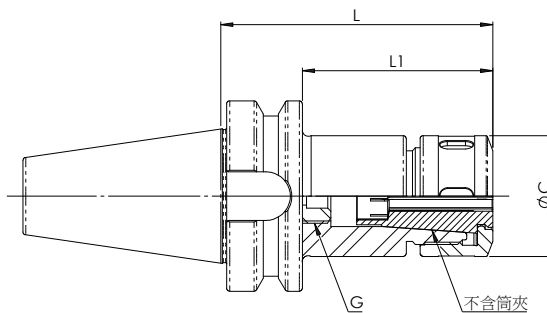
BT高速刀桿-高速加工專用

■ Application / 產品適用

- To prevent vibration and reduces noise by SK Nut(Notch-Free).
- High Rigidity · High Accuracy · High Clamping Force
- 藉由 SK 螺母 (無溝槽), 可避免加工時的晃動及降低噪音。
- 高剛性 · 高精度 · 高夾持力



(SK6 · SK10)



(SK13 · SK16 · SK20 · SK25)

BT CHUCK For High-Speed Machining

BT高速刀桿-高速加工專用



Tightening Torque SK 刀桿 (鎖緊力值)	
TYPE 規格	N-m 單位
SK6	25±5
SK10	45±5
SK13	45±5
SK16	55±5
SK20	60±5
SK25	60±5

Code No. 型號	TYPE 規格	L	L1	ΦC	G	Collet
BA2BT30251060B	BT30-SK 6- 60	60	38	19.7	M8	SK6
BA2BT30251090B	BT30-SK 6- 90	90	68			
BA2BT30252060B	BT30-SK10- 60	60	38			
BA2BT30252090B	BT30-SK10- 90	90	68	29	M12	SK10
BA2BT30254060B	BT30-SK16- 60	60	38			
BA2BT30254090B	BT30-SK16- 90	90	68			
BA2BT30255060B	BT30-SK20- 60	60	38	48.5	M22	SK20
BA2BT30256060B	BT30-SK25- 90	90	68			
BA2BT40251060B	BT40-SK 6- 60	60	33			
BA2BT40251090B	BT40-SK 6- 90	90	63	19.7	M8	SK6
BA2BT40251120B	BT40-SK 6- 120	120	93			
BA2BT40252060B	BT40-SK10- 60	60	33			
BA2BT40252090B	BT40-SK10- 90	90	63	29	M12	SK10
BA2BT40252120B	BT40-SK10-120	120	93			
BA2BT40252150B	BT40-SK10-150	150	123			
BA2BT40254060B	BT40-SK16- 60	60	33	40	M18	SK16
BA2BT40254090B	BT40-SK16- 90	90	63			
BA2BT40254105B	BT40-SK16- 105	105	78			
BA2BT40254120B	BT40-SK16- 120	120	93	40	M18	SK16
BA2BT40254135B	BT40-SK16- 135	135	108			
BA2BT40254150B	BT40-SK16- 150	150	123			
BA2BT40254190B	BT40-SK16- 190	190	163	48.5	M22	SK20
BA2BT40255060B	BT40-SK20- 60	60	33			
BA2BT40255090B	BT40-SK20- 90	90	63			
BA2BT40255120B	BT40-SK20- 120	120	93	55	M28	SK25
BA2BT40255150B	BT40-SK20- 150	150	123			
BA2BT40256080B	BT40-SK25- 90	90	63			
BA2BT40256120B	BT40-SK25- 120	120	93	19.7	M8	SK6
BA2BT50251100B	BT50-SK 6-100	100	62			
BA2BT50251150B	BT50-SK 6-150	150	112			
BA2BT50252100B	BT50-SK10-100	100	62	29	M12	SK10
BA2BT50252150B	BT50-SK10-150	150	112			
BA2BT50254100B	BT50-SK16-100	100	62			
BA2BT50254150B	BT50-SK16-150	150	112	40	M18	SK16
BA2BT50254200B	BT50-SK16-200	200	62			
BA2BT50255100B	BT50-SK20-100	100	112			
BA2BT50255150B	BT50-SK20-150	150	62	48.5	M22	SK20
BA2BT50255200B	BT50-SK20-200	200	112			
BA2BT50256100B	BT50-SK25-100	100	62			
BA2BT50256150B	BT50-SK25-150	150	112	55	M28	SK25
BA2BT50256200B	BT50-SK25-200	200	162			

* Custom-built products are available on request. (BT, HSK, SK, NT, CAT Type) * 特製品可依客戶需求訂製
* 螺帽與扳手選配參考 (P.109 頁) * 筒夾選配參考 (P.103)